

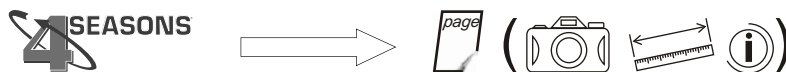


		kW	PS	CC	Cyl						
Captiva	2.0	110	150	1991	4	06.06 -					43308
Captiva	2.4 FWD	100	136	2405	4	06.06 -					43308
Captiva	2.4	100	136	2405	4	06.06 -					43308
Captiva	3.2	169	230	3195	6	06.06 -					43308
Captiva	2.0 D 2WD	110	150	1991	4	09.07 -	98892				43307
Captiva	2.0 D	110	150	1991	4	10.06 -	98892				43307
Espero (KLEJ)	1.5	55	75	1498	4	10.97 - 09.99	68208	67208	33942	38642	53935
Espero (KLEJ)	1.5 16V	65	88	1498	4	10.93 - 09.94	68208	67208	33942	38642	53935
Espero (KLEJ)	1.5 16V	66	90	1498	4 A15MF	02.95 - 06.99	68207		33942	38642	53935
Espero (KLEJ)	1.8	66	90	1796	4 C18LE	02.95 - 09.99	68208	67208	33942	38642	53935
Espero (KLEJ)	1.8	70	95	1796	4 C18LE	02.95 - 06.99	68208	67208	33942	38642	53935
Espero (KLEJ)	2.0	74	101	1998	4	10.91 - 09.93	68207		33942	38642	53935
Espero (KLEJ)	2.0	77	105	1998	4 C20LE	02.95 - 06.99	68207		33942	38642	53935
Espero (KLEJ)	2.0	81	110	1998	4	10.93 - 09.94	68207		33942	38642	53935
Evanda (KLAL)	2.0	96	131	1998	4	08.02 -					43111
Kalos (Klas)	1.2	53	72	1150	4	04.03 -	58107	57107	83553		43156 93087
Kalos (Klas)	1.4	61	83	1399	4	09.02 -	58107	57107	83553		43110 93087
Kalos (Klas)	1.4	69	94	1399	4	04.03 -	58107	57107	83553		43110 93087
Lacetti (KLAN)	1.4	70	95	1399	4	02.04 -	68209	67209	83554		43153 93088
Lacetti (KLAN)	1.6	80	109	1598	4	02.04 -	68209	67209	83554		43153 93088
Lacetti (KLAN)	1.8	90	122	1799	4	02.04 -	68209	67209	83554		43153 93088
Lanos (KLAT)	1.4	55	75	1349	4 A14SMS	05.97 - VIN280022	68210	67210	83503	38642	53118 93860
Lanos (KLAT)	1.4	55	75	1349	4 A14SMS	VIN280023 -	68298		83503	38642	53118 93860
Lanos (KLAT)	1.5	63	86	1498	4 A15SMS	05.97 - VIN280022	68210	67210	83503	38642	53118 93860
Lanos (KLAT)	1.5	63	86	1498	4 A15SMS	VIN280023 -	68298		83503	38642	53118 93860
Lanos (KLAT)	1.6 16V	78	106	1598	4 A16DMS	05.97 - VIN280022	68210	67210	83503	38642	53118 93860
Lanos (KLAT)	1.6 16V	78	106	1598	4 A16DMS	VIN280023 -	68298		83503	38642	53118 93860
Leganza (KLAV)	2.0 16V	98	133	1998	4 X20SED	06.97 - 12.02	68209	67209	83504	38642	53120 93864
Matiz (KLYA)	0.8	38	51	796	3	09.98 - 08.00	68152	67152	83552		53317 93826
Matiz (KLYA)	0.8	38	51	796	3	09.00 -	68152	67152	83550		43028 93826
Matiz (KLYA)	1.0	47	64	995	4	01.03 -					93826
Matiz II	0.8	38	52	796	3 F8CV	03.05 -					43316
Matiz II	1.0	47	64	995	4 B10S	03.05 -					43316
Matiz II	1.0	49	67	995	4 B10S1	03.05 -					43316
Nexia (KLETN)	1.5	44	60	1498	4 G15MF	08.96 - 08.97	68208	67208	33942	38642	53935
Nexia (KLETN)	1.5	52	71	1498	4 G15MF	02.95 - 08.97	68208	67208	33942	38642	53935

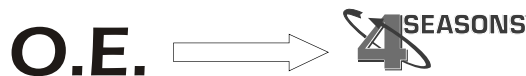


kW PS CC Cyl

Nexia (KLETN)	1.5	55	75	1498	4	G15MF	02.95 - 08.97	68208	67208	33942	38642	53935	
Nexia (KLETN)	1.5 16V	66	90	1498	4	A15MF	02.95 - 08.97	68208	67208	33942	38642	53935	
Nexia (KLETN)	1.8	74	101	1796	4	C18LE	10.95 - 08.97	68208	67208	33942	38642	53935	
Nubira (KLAJ)	1.6 16V	78	106	1598	4	A16DMS	05.97 - 05.99	68209	67209	83505	38642	53119	93865
Nubira (KLAJ)	1.6 16V	78	106	1598	4	A16DMS	06.99 -	68209	67209	83505	38642	53513	93865
Nubira (KLAJ)	2.0 16V	98	133	1998	4	X20SED	05.97 - 05.99	68209	67209	83505	38642	53119	93865
Nubira (KLAJ)	2.0 16V	98	133	1998	4	X20SED	06.99 -	68209	67209	83505	38642	53513	93865
Nubira (KLAN)	1.4	70	95	1399	4		08.03 -	68209	67209	83554			
Nubira (KLAN)	1.6	80	109	1598	4		08.03 -	68209	67209	83554			
Nubira (KLAN)	1.8	90	122	1799	4		08.03 -	68209	67209	83554			
Tacuma / Rezzo (KLAU) 1.8		72	98	1761	4	A18DMS	09.00 -	68209	67209	83551	38642	43068	93863
Tacuma / Rezzo (KLAU) 1.8		74	101	1761	4		09.00 -	68209	67209	83551	38642	43068	93863
Tacuma / Rezzo (KLAU) 2.0		89	121	1998	4		09.01 -	68209	67209	83551	38642	43068	93863
Tacuma / Rezzo (KLAU) 2.0		94	128	1998	4		09.00 -	68209	67209	83551	38642	43068	93863



Page	Page	Page	Page	Page	Page	Page	Page	Page	Page		
33942	69	53513	68	83504	69						
38642	70	53935	68	83505	69						
43028	67	57107	66	83550	69						
43068	67	58107	66	83551	70						
43110	67	67152	66	83552	70						
43111	67	67208	66	83553	70						
43153	67	67209	66	83554	70						
43156	67	67210	66	93087	68						
43307	67	68152	66	93088	68						
43308	67	68207	66	93826	68						
43316	67	68208	66	93860	69						
53118	68	68209	66	93863	69						
53119	68	68210	66	93864	69						
53120	68	68298	66	93865	69						
53317	68	83503	69	98892	66						



1845404	38642	96207354	53120	96274635	53118	96394569	68298	96629581	43307		
506211-9421	98892	96207359	83504	96283363	53119	96394698	68209	96629605	98892		
5110506	68207	96207413	93864	96283363	53513	96394698	67209				
5110577	68207	96214763	53317	96283364	53119	96405845	83554				
613166	83551	96225633	83503	96293317	68209	96436393	43308				
717639	68152	96226924	33942	96293317	67209	96450097	53513				
717639	67152	96231949	93860	96293323	68209	96484931	43153				
96164823	53935	96245940	68210	96293323	67209	96512885	83550				
96190601	53119	96245940	67210	96303204	53118	96539395	58107				
96190606	83505	96245943	68210	96314801	68152	96539395	57107				
96190641	68209	96245943	67210	96314858	93826	96539632	43156				
96190641	67209	96255980	68210	96320092	83552	96539634	43110				
96190674	93865	96255980	67210	96324801	93826	96539636	83553				
96191807	68208	96262800	43068	96327357	43111	96539642	93087				
96191807	67208	96265216	53935	96331063	93863	96554446	93088				
96191808	68208	96271265	53513	96331477	53513	96569392	43028				
96191808	67208	96274630	53118	96393543	53513	96591582	43316				



4 SEASONS

NEW: **58107**
RMFG: **57107**Ø 132 mm
Poly-V6
240 cc
Harrison V5

96539392

4 SEASONS

NEW: **68152**
RMFG: **67152**Ø 140 mm
Poly-V4
130 cc
Harrison SP10

717639 / 96314801

4 SEASONS

NEW: **68207**
RMFG: **67207**Ø 138 mm
1 G - A
235 cc
Harrison V5

5110506 / 5110577

4 SEASONS

NEW: **68208**
RMFG: **67208**Ø 138 mm
1 G - A
235 cc
Harrison V5

96191807 / 96191808

4 SEASONS

NEW: **68209**
RMFG: **67209**Ø 127 mm
Poly-V6
235 cc
Harrison V5

96190641 / 96293317 / 96293323 / 96394698

4 SEASONS

NEW: **68210**
RMFG: **67210**Ø 138 mm
1 G - A
235 cc
Harrison V5

96245940 / 96245943 / 96255980

4 SEASONS

NEW: **68298**
RMFG: **67298**Ø 132 mm
1 G - A
235 cc
Harrison V5

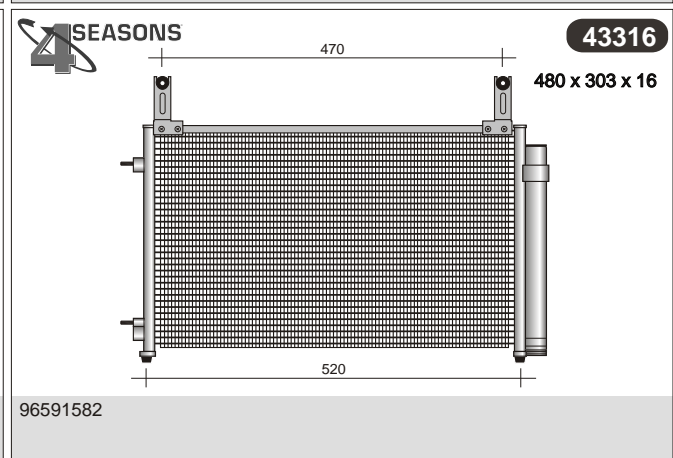
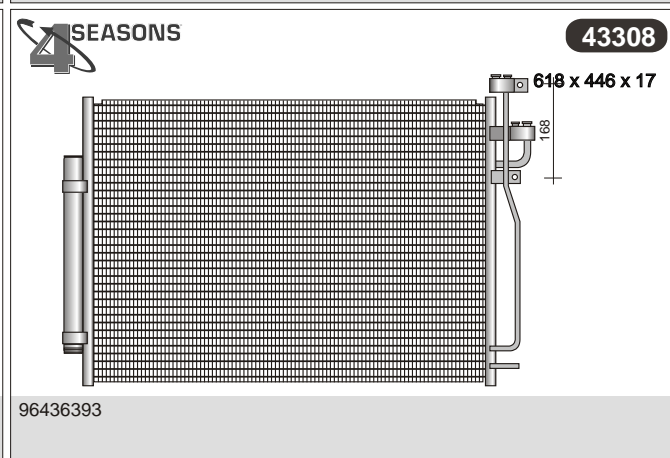
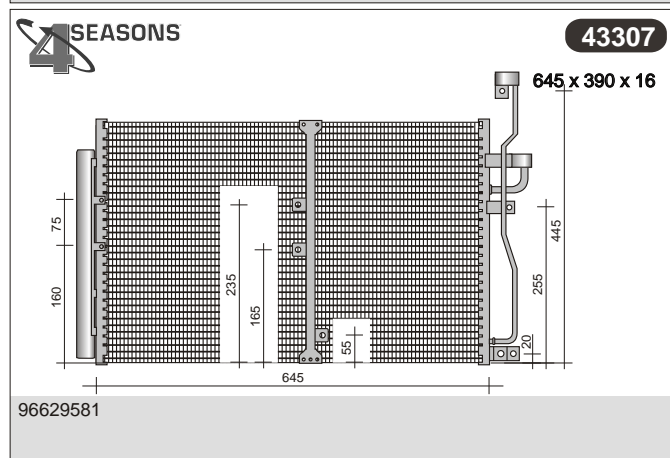
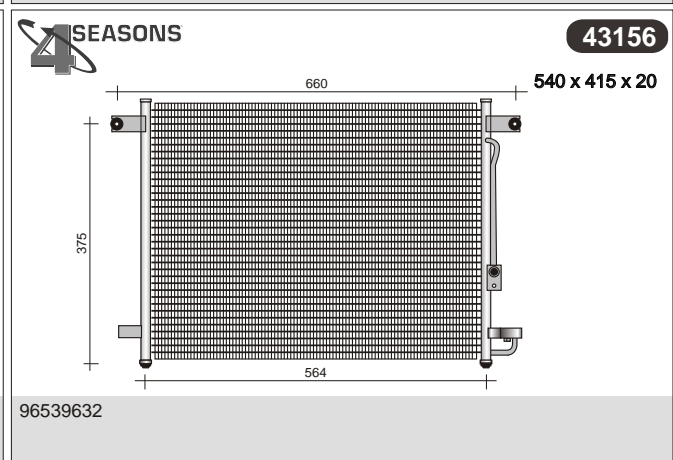
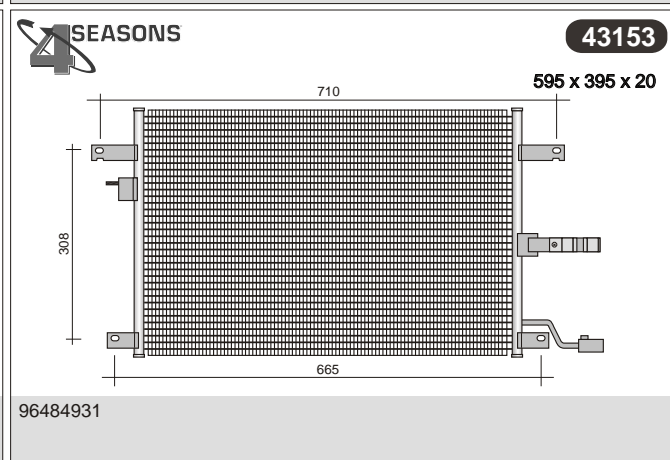
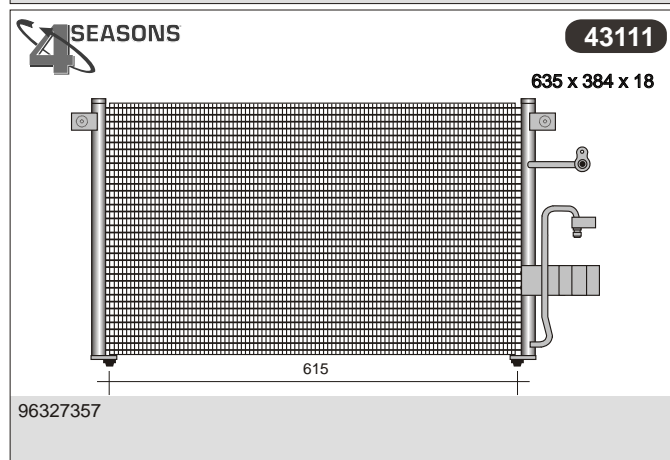
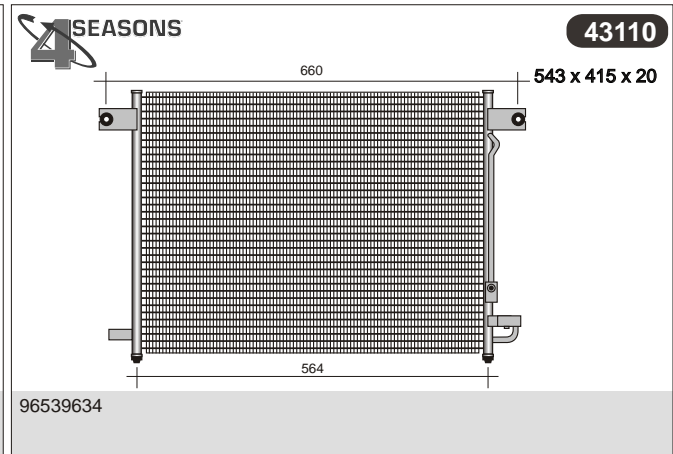
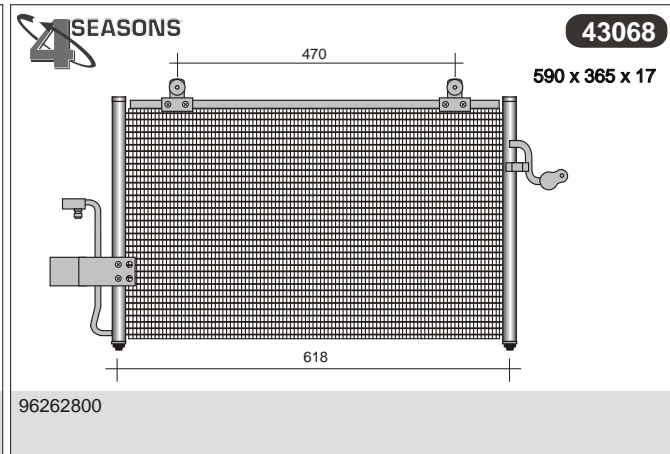
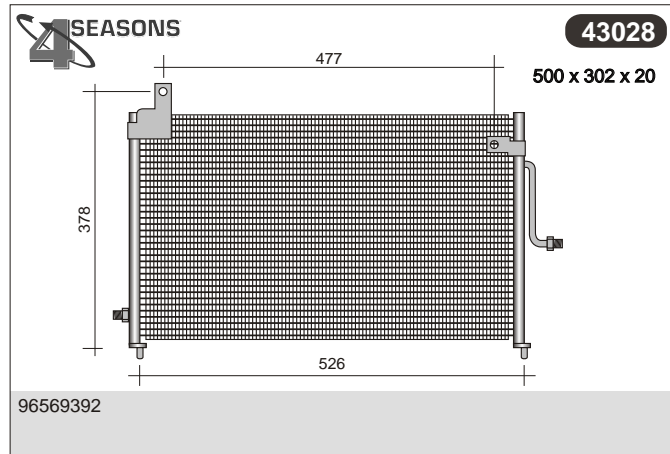
96394569

4 SEASONS

NEW: **98892**
RMFG: **97892**Ø 120 mm
Poly-V6
225 cc
Zexel DKS17DS

96629605 / 506211-9421

4 SEASONS



Non contractual pictures / photos non contractuelles / nicht vertragliche Fotos / fotografie non contrattuali / fotos no contractuales

4 SEASONS **53118**
535 x 360 x 20
 528
 593
 11,64 mm
 7,95 mm
 96274630 / 96274635 / 96303204

4 SEASONS **53119**
595 x 355 x 18
 575
 640
 filetto 8,00 x 1,25 mm
 13,67 mm 18,90 mm
 96190601 / 96283363 / 96283364

4 SEASONS **53120**
595 x 365 x 18
 540
 645
 filetto 8,00 x 1,25 mm
 14,00 mm 18,85 mm
 96207354

4 SEASONS **53317**
490 x 305 x 16
 460
 550
 525
 96214763

4 SEASONS **53513**
590 x 365 x 17
 580
 618
 96271265 / 96283363 / 96331477 / 96393543 / 96450097

4 SEASONS **53935**
660 x 360 x 24
 582
 600
 96164823 / 96265216

4 SEASONS **93087**
 96539642

4 SEASONS **93088**
 96554446

4 SEASONS **93826**
152 x 166 x 25
 198
 182
 292
 67
 96314858 / 96324801

Non contractual pictures / photos non contractuelles / nicht vertragliche Fotos / fotografie non contrattuali / fotos no contractuales

4 SEASONS **93860**
168 x 182 x 25

96231949

4 SEASONS **93863**
168 x 201 x 25

96331063

4 SEASONS **93864**
168 x 182 x 35

96207413

4 SEASONS **93865**
168 x 182 x 25

96190674

4 SEASONS

4 SEASONS

4 SEASONS **33942**

96226924

4 SEASONS **83503**

96225633

4 SEASONS **83504**

96207359

4 SEASONS **83505**

96190606

4 SEASONS **83550**

96512885

Non contractual pictures / photos non contractuelles / nicht vertragliche Fotos / fotografie non contrattuali / fotos no contractuales



4 SEASONS **83551**

613166

4 SEASONS **83552**

96320092

4 SEASONS **83553**

96539636

4 SEASONS **83554**

96405845

4 SEASONS **38642**

1845404

Yellow

Non contractual pictures / photos non contractuelles / nicht vertragliche Fotos / fotografie non contrattuali / fotos no contractuales