



kW PS CC Cyl

Accord IV (CB)						01.90 - 03.93	68300	67300	33412	39130	54320	54689	94692		
Accord V (CC7)	2.0 i	85	116	1997	4	F20Z2	03.93 - 01.96	58305	57305	33574	39002	53791	54187	94802	35993
Accord V (CC7)	2.0 i S	96	131	1997	4	F20Z1	03.93 - 01.96	58305	57305	33569	39002	53791	54187	94802	35993
Accord V (CC7)	2.3 i SR	116	158	2259	4	H23A3	03.93 - 01.96	58305	57305	33574	39002	53791	54187	94802	35993
Accord V coupé	2.0 (DC9)	100	136	1997	4	F20B3	09.93 - 12.97	58305	57305	33574	39002	53915	54187	94802	35993
Accord V coupé	2.2 i ES	110	150	2156	4	F22B5	09.93 - 02.98	58305	57305	33574	39002	53915	54187	94802	35993
Accord VI (CE,CF)	1.9 i (CE7)	85	116	1850	4	F18A3	02.96 - 10.98	58305	57305	33574	39002	43000	54187	94802	35993
Accord VI (CE,CF)	2.0 i LS (CE8)	96	131	1997	4	F20Z1	02.96 - 10.98	58305	57305	33574	39002	43000	54187	94802	35993
Accord VI (CE,CF)	2.2 i VTEC (CE9)	110	150	2156	4	F22Z2	02.96 - 10.98	58305	57305	33574	39002	53791	54187	94802	35993
Accord VI (CE,CF)	2.0 TDi (CF1)	77	105	1994	4	20T2N	04.96 - 10.98	58713	57713		39002	53788	54187	94802	35993
Accord VII (CG)	1.6 i	85	116	1590	4	D16B6	10.98 -	58733	57733	83003	39000			93063	35993
Accord VII (CG)	1.8 i	100	136	1850	4	F18B2	10.98 -	98838		83003	39000			93063	35993
Accord VII (CG)	2.0 i	108	147	1997	4	F20B6	10.98 - 01.01	98838		83003	39000			93063	35993
Accord VII (CG)	2.2 Type-R	156	212	2157	4	H22A7	02.99 -	58732	57732	83003	39000			93063	35993
Accord VII (CG)	2.0 Turbo DI	77	105	1994	4		02.99 -			83003	39000			93063	35993
Accord VII (CG)	2.3	113	154	2254	4		01.01 -	98838		83003	39000			93063	35993
Accord VII coupé (CG)	2.0 i 16V	108	147	1997	4	F20B5	02.98 -	98838		83003	39000			93063	35993
Accord VII coupé (CG)	3.0 V6 24V	147	200	2997	6	J30A1	02.98 - 01		77341	83003	39000			93063	35993
Accord VII coupé (CG)	3.0 V6 24V	147	200	2997	6	J30A1	02 -		77383	83003	39000			93070	35993
Accord VIII	2.0 (CL7)	114	155	1998	4	K20A	02.03 -	58881	57881		39021			43179	20945
Accord VIII	2.0 (CL8)	114	155	1998	4	K20A	02.03 -	58881	57881		39021			43179	20945
Accord VIII	2.4 (CL9)	140	190	2354	4		02.03 -	78389	77389		39021			43179	20945
Accord VIII	2.2 i-CTDi	103	140	2204	4		01.04 -				39021			43255	
Accord VIII Tourer	2.0 (CM1)	114	155	1998	4	K20A	04.03 -	58881	57881		39021			43179	
Accord VIII Tourer	2.4 (CM2)	140	190	2354	4	K24A	04.03 -	78389	77389		39021			43179	
Accord VIII Tourer	2.2 i-CTDi	103	140	2204	4	N22A1	01.04 -				39021			43255	
Civic III (EC, ED, EE)	1.3 (EC8)	55	75	1343	4	D13B1	10.87 - 12.89			33823		54316	54658	94749	
Civic III (EC, ED, EE)	1.3 16 V (EC8) KAT	55	75	1343	4	D13B2	09.89 - 09.91			33823		54316	54658	94749	
Civic III (EC, ED, EE)	1.4 L (EC9)	66	90	1396	4	D14A1	10.87 - 12.89			33823		54316	54658	94749	
Civic III (EC, ED, EE)	1.5 i 16V	66	90	1493	4	D15B2	10.88 - 09.91			33278	38872	54316	54658	94749	
Civic III (EC, ED, EE)	1.5 i 16V	66	90	1493	4	D15B2	10.88 - 09.91		57570	33278	38631	54316	54658	94749	
Civic III (EC, ED, EE)	1.5 i 16V (ED6)	69	94	1493	4	D15B2	10.88 - 09.91			33278	38872	54316	54658	94749	
Civic III (EC, ED, EE)	1.5 i 16V (ED6)	69	94	1493	4	D15B2	10.88 - 09.91		57570	33278	38631	54316	54658	94749	
Civic III (EC, ED, EE)	1.6 i 16V (ED7)	80	109	1590	4	D16A6	10.87 - 09.91			33278	38872	54316	54658	94749	
Civic III (EC, ED, EE)	1.6 i 16V (ED7)	80	109	1590	4	D16A6	10.87 - 09.91		57570	33278	38631	54316	54658	94749	
Civic III (EC, ED, EE)	1.6 i 16V (ED7)	81	110	1590	4	D16Z2	10.87 - 09.91			33278	38872	54316	54658	94749	
Civic III (EC, ED, EE)	1.6 i 16V (ED7)	81	110	1590	4	D16Z2	10.87 - 09.91		57570	33278	38631	54316	54658	94749	



kW PS CC Cyl

Civic III (EC, ED, EE)	1.6 i 16V	96	130	1590	4	D16A7	09.87 - 09.91			33278	38872	54316	54658	94749
Civic III (EC, ED, EE)	1.6 i 16V	96	130	1590	4	D16A7	09.87 - 09.91	57570		33278	38631	54316	54658	94749
Civic III (EC, ED, EE)	1.6 i 16V Vtec (EE9)	110	150	1595	4	B16A1	10.89 - 09.91			33278	38872	54316	54658	94749
Civic III (EC, ED, EE)	1.6 i 16V Vtec (EE9)	110	150	1595	4	B16A1	10.89 - 09.91	57570		33278	38631	54316	54658	94749
Civic IV (EG, EH)	1.5 i 16V (EG8)	69	94	1493	4	D15B2, D15Z1	10.91 - 11.95	58341	57341	33588		53912	54167	94750
Civic IV (EG, EH)	1.5 i 16V (EG8)	69	94	1493	4	D15B2, D15Z1	10.91 - 11.95			33588	38631	53912	54167	94750
Civic IV (EG, EH)	1.5 i 16V (EG8)	69	94	1493	4	D15B2, D15Z1	10.91 - 93			33588	38631	53937	54691	94750
Civic IV (EG, EH)	1.6 16V Vtec (EH9)	92	125	1590	4	D16Z6	10.91 - 11.95	58341	57341	33588		53912	54167	94750
Civic IV (EG, EH)	1.6 16V Vtec (EH9)	92	125	1590	4	D16Z6	10.91 - 11.95			33588	38631	53912	54167	94750
Civic IV (EG, EH)	1.6 16V Vtec (EH9)	92	125	1590	4	D16Z6	10.91 - 93			33588	38631	53937	54691	94750
Civic IV (EG, EH)	1.6 VTi (EG9)	118	160	1595	4	B16A2	10.91 - 11.95	58341	57341	33588		53912	54167	94750
Civic IV (EG, EH)	1.6 VTi (EG9)	118	160	1595	4	B16A2	10.91 - 11.95			33588	38631	53912	54167	94750
Civic IV (EG, EH)	1.6 VTi (EG9)	118	160	1595	4	B16A2	10.91 - 93			33588	38631	53937	54691	94750
Civic IV (EJ)	1.5 i LSi (EJ2)	74	101	1493	4	D15B7	01.94 - 11.95			33588	38631	53912	54167	94750
Civic IV (EJ)	1.6 i (EJ6)	77	105	1590	4	D16Y7	01.94 - 11.95			33588	38631	53912	54167	94750
Civic IV (EJ)	1.6 i Vtec (EJ1)	92	125	1590	4	D16Y6, D16Z9	01.94 - 11.95			33588	38631	53912	54167	94750
Civic IV (EJ)	1.6 i Vtec	118	160	1595	4	B16A2	01.94 - 11.95			33588	38631	53912	54167	94750
Civic V Hatchback	1.4 i (EJ9)	55	75	1396	4	D14A3	11.95 - 02.01	68571	77560	33595	39000	53911	54296	94799
Civic V Hatchback	1.4 i S (EJ9)	66	90	1396	4	D14A4	11.95 - 02.01	68571	77560	33595	39000	53911	54296	94799
Civic V Hatchback	1.5 i (EK3)	84	114	1493	4	D15Z6	11.95 - 02.01	68571	77560	33595	39000	53911	54296	94799
Civic V Hatchback	1.6 i (EK1)	84	114	1590	4	D16Y5	11.95 - 02.01	68571	77560	33595	39000	53911	54296	94799
Civic V Hatchback	1.6 VTi (EK4)	118	160	1595	4	B16A2	11.95 - 02.01	68571	77560	33595	39000	53911	54296	94799
Civic V (MB)	1.4 16V (MB2)	55	75	1396	4	D14A7	01.97 - 02.01	68571	77560	33595	39000	53911	54296	94799
Civic V (MB)	1.4 16V (MB2)	66	90	1396	4	D14A8	01.97 - 02.01	68571	77560	33595	39000	53911	54296	94799
Civic V (MB)	1.5 16V (MB3)	84	114	1493	4	D15Z8	01.97 - 02.01	68571	77560	33595	39000	53911	54296	94799
Civic V (MB)	1.6 16V (MB4)	85	116	1590	4	D16B2	01.97 - 02.01	68571	77560	33595	39000	53911	54296	94799
Civic V (MB)	1.6 VTi	118	160	1595	4	B16A2	01.97 - 02.01	68571	77560	33595	39000	53911	54296	94799
Civic V (MB)	1.8 16V (MB6)	124	169	1797	4		01.97 - 02.01					53911	54296	94799
Civic V (MB)	2.0 i TD (MB7)	63	86	1994	4		01.97 - 02.01	58713	57713			53911	54296	94799
Civic V Aerodeck (MC)	1.4 16V (MB8)	55	75	1396	4	D14A7	04.98 - 02.01			33595	39000	53911	54296	94799
Civic V Aerodeck (MC)	1.4 16V (MB8)	66	90	1396	4	D14A8	04.98 - 02.01			33595	39000	53911	54296	94799
Civic V Aerodeck (MC)	1.5 16V (MB9)	84	114	1493	4	D15Z8	04.98 - 02.01	68571	77560	33595	39000	53911	54296	94799
Civic V Aerodeck (MC)	1.6 16V (MC1)	85	116	1590	4	D16B2	04.98 - 02.01			33595	39000	53911	54296	94799
Civic V Aerodeck (MC)	1.8 16V (MC2)	124	169	1797	4	B18C4	04.98 - 02.01					53911	54296	94799
Civic V Aerodeck (MC)	2.0 i D (MC3)	77	105	1994	4		04.98 - 02.01	58713	57713			53911	54296	94799
Civic VI (EU_, EP_)	1.4 i	55	75	1396	4		02.01 -	78592	77592	83008	39007	53522	54738	93061
Civic VI (EU_, EP_)	1.4 i	55	75	1396	4		02.01 -	68054	77599	83008	39007	53522	54870	93061
Civic VI (EU_, EP_)	1.4 iS	66	90	1396	4		02.01 -	78592	77592	83008	39007	53522	54738	93061
Civic VI (EU_, EP_)	1.4 iS	66	90	1396	4		02.01 -	68054	77599	83008	39007	53522	54870	93061



		kW	PS	CC	Cyl								
<i>Civic VI (EU_, EP_)</i>	1.6 i	81	110	1590	4	02.01 -	78592	77592	33595	39007	53522	54738	93061
<i>Civic VI (EU_, EP_)</i>	1.6 i	81	110	1590	4	02.01 -	68054	77599	33595	39007	53522	54870	93061
<i>Civic VI (EU_, EP_)</i>	2.0 i Sport	118	160	1998	4	01.04 -				39020			93061
<i>Civic VI (EU_, EP_)</i>	2.0 Type-R	147	200	1998	4	09.01 -	78592	77592	83008	39007		54738	93061
<i>Civic VI (EU_, EP_)</i>	2.0 Type-R	147	200	1998	4	09.01 -	68054	77599	83008	39007		54870	93061
<i>Civic VI (EU_, EP_)</i>	1.7 CTDi	74	100	1686	4	01.02 -		97880		39007	43358		93061
<i>Civic VI</i>	1.3 IMA	61	83	1339	4	01.04 -		77552		39020			93061
<i>Civic VI</i>	1.4	66	90	1396	4	02.01 -				39006		54898	93061
<i>Civic VI</i>	1.6	81	110	1590	4	02.01 -				39006		54898	93061
<i>Civic VI</i>	1.7	85	116	1668	4	02.01 -		77613		39006		54898	93061
<i>Civic VI coupé (EM)</i>	1.6 i	81	110	1590	4	02.01 -				39006		54898	93061
<i>Civic VI coupé (EM)</i>	1.7 i	88	120	1668	4	05.01 -		77613		39006		54898	93061
<i>Civic VI coupé (EM)</i>	1.7 i VTEC	92	125	1668	4	05.01 -		77613		39006		54898	93061
<i>Civic VII Hatchback</i>	1.3	70	95	1339	4 LDA2	01.06 -					43334		
<i>Civic VII Hatchback</i>	1.4	61	83	1339	4 L13A7	01.06 -					43334		
<i>Civic VII Hatchback</i>	1.8	103	140	1799	4 R18A2	01.06 -					43334		
<i>Civic VII Hatchback</i>	2.2 CTDi	103	140	2204	4 N22A2	01.06 -	98869	97869			43334		
<i>CR-V I (RD)</i>	2.0 16V (RD1, RD3)	94	128	1973	4 B20B	10.95 - 06.97			83003	39000	53434	54296	35993
<i>CR-V I (RD)</i>	2.0 16V (RD1, RD3)	94	128	1973	4 B20B	07.97 - 01.99	68571	77560	83003	39000	53434	54296	93060 35993
<i>CR-V I (RD)</i>	2.0 16V (RD1, RD3)	108	147	1973	4	01.99 -	68571	77560	83003	39000	53434	54296	93060 35993
<i>CR-V II</i>	2.0	110	150	1998	4	07.02 -	58881	57881	83019	39006	43178	54898	35993
<i>CR-V II</i>	2.4					07.02 -	58881	57881	83019	39006	43178	54898	35993
<i>CRX II (ED, EE)</i>	1.6 i 16V (ED9)	91	124	1590	4 D16Z5	10.87 - 02.92			33278	38872		54658	94749
<i>CRX II (ED, EE)</i>	1.6 i 16V (ED9)	96	131	1590	4 D16A9	10.87 - 12.89			33278	38872		54658	94749
<i>CRX II (ED, EE)</i>	1.6 i 16V Vtec (EE8)	110	150	1595	4 B16A1	10.89 - 02.92			33278	38872		54658	94749
<i>CRX III (EH, EG)</i>	1.6 ESi (EH6)	92	125	1590	4 D16Z6	03.92 - 12.98					53912		94749
<i>CRX III (EH, EG)</i>	1.6 i VTi (EG2)	118	160	1595	4 B16A2	03.92 - 12.98					53912		94749
<i>FR-V</i>	1.7	92	125	1668	4 D17A2	02.05 -		97868					
<i>FR-V</i>	2.0	110	150	1998	4 K20A9	02.05 -		97868					
<i>FR-V</i>	2.2 i CTDi	103	140	2204	4	07.05 -					43359		
<i>HR-V (GH)</i>	1.6 16V	77	105	1590	4 D16W1	03.99 -						54296	
<i>HR-V (GH)</i>	1.6 16V 4WD	77	105	1590	4 D16W1	03.99 -						54296	
<i>HR-V (GH)</i>	1.6 16V 4WD	91	124	1590	4	10.99 -						54296	
<i>Jazz (GD)</i>	1.2	57	78	1243	4	03.02 -	98878	97878			43121		
<i>Jazz (GD)</i>	1.4	61	83	1339	4	03.02 -	98878	97878			43121		



kW PS CC Cyl

Legend (HS, KA) 2.5 i	2.5 i (HS)	110	150	2494	C25A1	01.86 - 12.87	57363	33412	38616	53151	94754		
Legend (HS, KA) 2.5 i	2.5 i (HS)	127	173	2494	C25A2	02.87 - 06.88	57363	33412	38616	53151	94754		
Legend (HS, KA) 2.7 i	2.7 i 24V (KA4)	124	169	2675	C27A1	01.88 - 12.90	57363	33412	38616	53151	94754		
Legend Coupe (KA3)	2.7 i 24V	124	169	2675	C27A1	10.87 - 12.90	57364	33412	38616	53151	94754		
Legend II (KA7)	3.2 i 24V	151	205	3206	6 C32A2	01.91 - 02.96	77328	33589	39131		54721		
Legend II (KA7)	3.2 i 24V	151	205	3206	6 C32A2	01.91 - 02.96	77328	33589	39131		54706		
Legend III (KA9)	3.5 i 24V	151	205	3474	6 C35A2	02.96 -							
Logo (GA3)	1.3	48	65	1343	4 D13B7	03.99 - 03.02		83003					
NSX Coupé (NA)	3.0 24V Vtec	188	256	2977	6 C30A4	06.90 -	57375						
NSX Coupé (NA)	3.0 24V Vtec	201	274	2977	6 C30A3	06.90 -	57375						
NSX Coupé (NA)	3.2 24V Vtec	206	280	3179	6	01.97 -	57375						
NSX Cabrio (NA)	3.0 24V Vtec	188	256	2977	6 C30A4	03.95 -	57375						
NSX Cabrio (NA)	3.0 24V Vtec	201	274	2977	6 C30A3	03.95 -	57375						
NSX Cabrio (NA)	3.2 24V Vtec	206	280	3179	6	01.97 -	57375						
Prelude III (BA)	2.0 EX (BA4)	80	109	1958	4 B20A3	04.87 - 01.92	57494	33426	38872	54362	54671	94693	
Prelude III (BA)	2.0 (BA4)	84	114	1958	4 B20A4	08.87 - 01.92	57494	33426	38872	54362	54671	94693	
Prelude III (BA)	2.0 i EX 16V	101	137	1958	4 B20A1	04.86 - 12.87	57494		38872	54362	54671	94693	
Prelude III (BA)	2.0 i EX 16V	101	137	1958	4 B20A5	04.87 - 01.92	57494	33426	38872	54362	54671	94693	
Prelude III (BA)	2.0 i EX 16V	103	140	1958	4 B20A9	04.90 - 01.92	57494	33426	38872	54362	54671	94693	
Prelude III (BA)	2.0 i EX 16V	101	137	1958	4 B20A1	04.86 - 12.87	57494		38872	54362	54671	94693	
Prelude III (BA)	2.0 i EX 16V	110	150	1958	4 B20A7	10.87 - 12.90	57494	33426	38872	54362	54671	94693	
Prelude IV (BB)	2.0 i 16V (BB3)	98	133	1997	4 F20A4	02.92 - 09.96	68553	67553	33577	38631	53913	54709	35993
Prelude IV (BB)	2.0 i 16V (BB3)	98	133	1997	4 F20A4	02.92 - 09.96		67554	33577	38631	53913	54709	35993
Prelude IV (BB)	2.2 i 16V Vtec (BB1)	136	185	2157	4 H22A2	02.93 - 09.96	68553	67553	33577	38631	53913	54709	35993
Prelude IV (BB)	2.2 i 16V Vtec (BB1)	136	185	2157	4 H22A2	02.93 - 09.96		67554	33577	38631	53913	54709	35993
Prelude IV (BB)	2.3 i 16V (BB2)	118	160	2259	4 H23A2	02.92 - 09.96	68553	67553	33577	38631	53913	54709	35993
Prelude IV (BB)	2.3 i 16V (BB2)	118	160	2259	4 H23A2	02.92 - 09.96		67554	33577	38631	53913	54709	35993
Prelude V (BB)	2.0 16V (BB9)	98	133	1997	4 F20A4	10.96 -	58878	57878	33574	39090	43001	35993	
Prelude V (BB)	2.2 16V (BB6, BB8)	136	185	2157	4 H22A5	10.96 -	58878	57878	33574	39090	43001	35993	
Prelude V (BB)	2.2 16V	147	200	2157	4 H22A5	10.96 -	58878	57878	33574	39090	43001	35993	
Shuttle (RA)	2.2 16V	110	150	2156	4 F22B8	10.94 - 02.98	58305	57305	33596		53524	54690	20947
Shuttle (RA)	2.3 16V	110	150	2254	4 F23A7	01.98 - 05.01	98938	67315		39005	53524	54690	
Stream (RN)	1.7 16V	92	125	1668	4	05.01 -	77613						
S2000 (AP)	2.0	177	240	1997	4 F20C VTEC	06.99 -		33595		43001		35993	



4 SEASONS	Page	4 SEASONS	Page	4 SEASONS	Page	4 SEASONS	Page	4 SEASONS	Page	4 SEASONS	Page	4 SEASONS	Page	4 SEASONS	Page	4 SEASONS	Page	4 SEASONS	Page
20945	219	53788	213	58881	208														
20947	219	53791	213	67300	208														
33278	217	53911	213	67315	209														
33412	217	53912	213	67553	209														
33426	217	53913	213	67554	210														
33569	217	53915	213	68054	208														
33574	217	53937	213	68300	208														
33577	217	54167	214	68553	209														
33588	217	54187	214	68571	209														
33589	217	54296	214	77328	210														
33595	217	54316	213	77341	210														
33596	217	54320	214	77383	210														
33823	218	54362	214	77389	209														
35993	219	54658	214	77552	210														
38616	218	54671	214	77560	209														
38631	218	54689	214	77592	209														
38872	218	54690	214	77599	208														
39000	218	54691	215	77613	211														
39002	218	54706	215	78389	209														
39005	218	54709	215	78592	209														
39006	218	54720	215	83003	218														
39007	218	54721	215	83008	218														
39020	218	54738	215	83019	218														
39021	218	54870	215	93060	215														
39090	218	54898	215	93061	216														
39130	219	57305	208	93063	216														
39131	219	57341	208	93070	216														
43000	211	57363	209	94692	216														
43001	211	57364	210	94693	216														
43121	211	57375	210	94749	216														
43178	211	57494	210	94750	216														
43179	211	57570	210	94754	216														
43255	211	57713	208	94799	216														
43334	212	57732	208	94802	217														
43358	212	57733	208	97868	211														
43359	212	57878	208	97869	209														
53151	212	57881	208	97878	209														
53398	212	58305	208	97880	211														
53409	212	58341	208	98838	209														
53434	212	58713	208	98869	209														
53521	212	58732	208	98878	209														
53522	212	58733	208	98938	209														
53524	213	58878	208																


NEW: 58305
RMFG: 57305


\varnothing 152 mm
 Poly-V6
 190 cc
 Nippondenso 10PA17C

38810-P1E-003 / 38810-P1E-999

NEW: 58341
RMFG: 57341


\varnothing
 Poly-V6
 190 cc
 Nippondenso 10PA15C

38810-PW0-N01

NEW: 58713
RMFG: 57713


\varnothing 126 mm
 Poly-V6
 135 cc
 Sanden 7V16

38810-PST-G20 / 38810-P9M-E30

NEW: 58732
RMFG: 57732


\varnothing 112 mm
 Poly-V6
 130 cc
 Sanden TRSA09

38810-PDE-E02 / 38800-PDE-E010

NEW: 58733
RMFG: 57733


\varnothing 106 mm
 Poly-V4
 130 cc
 Sanden TRSA09

38810-PDF-E02

NEW: 58878
RMFG: 57878


\varnothing 112 mm
 Poly-V6
 130 cc
 Keihin HS090

38810-P5M-006 / 38810-P5M-016

NEW: 58881
RMFG: 57881


\varnothing 118 mm
 Poly-V7
 180 cc
 Keihin HS-110R

38810-PNB-006

NEW: 68054
RMFG: 77599


\varnothing 114 mm
 Poly-V6
 130 cc
 Sanden TRSA09

38810-PLM-A11


NEW: 68300
RMFG: 67300


\varnothing 165 mm
 Poly-V5
 190 cc
 Nippondenso 10PA17C

38810-PT0-013

4 SEASONS

NEW: 68553
RMFG: 67553




Ø 127 mm
Poly-V5
130 cc
Sanden TRF090

38810-P13-016 / 38810-POG-AO1 / 38810-PTO-013 / 38810-SSO-AO1 / 38900-POG-AO1

4 SEASONS

NEW: 68571
RMFG: 77560




Ø 112 mm
Poly-V4
130 cc
Sanden TRSA090

38810-P2A-006 / 38810-P06-A04

4 SEASONS

NEW: 78389
RMFG: 77389




Ø 130 mm
Poly-V7
200 cc
Nippondenso 10S17C

447220-4863

4 SEASONS

NEW: 78592
RMFG: 77592




Ø 100 mm
Poly-V5
165 cc
Sanden TRS090

38810-POG-A01

4 SEASONS

NEW: 98838
RMFG: [REDACTED]




Ø 150 mm
Poly-V6
180 cc
Denso 10S17C

38810-PDA-E01 / 38810-P3G-003

4 SEASONS

NEW: 98869
RMFG: 97869




Ø 100 mm
Poly-V7
165 cc
Sanden TRSE07

38800-RSR-E010 / 38800-RSR-E010-M2 / 38800-RSRA-E020 / 38800-RSRA-E020-M2

4 SEASONS

NEW: 98938
RMFG: 67315




Ø 130 mm
Poly-V6
200 cc
Nippondenso 10PA17C

38810-P45-G02 / 38810-P8F-A01

4 SEASONS

NEW: 98878
RMFG: 97878




Ø 117 mm
Poly-V5
180 cc
Keihin

38810-PWA-006 / 38810-PWA-J02

4 SEASONS

NEW: [REDACTED]
RMFG: 57363



Ø 124 mm
Poly-V4
190 cc
Nippondenso 10P15C

38800-PH7-003



4 SEASONS

NEW:
RMFG: 57364



Ø 121 mm
Poly-V4
190 cc
Nippondenso 10P17C

38810-PL2-003 / 38810-PL2-661

4 SEASONS

NEW:
RMFG: 57375



Ø 121 mm
Poly-V4
190 cc
Nippondenso 10PA15C

38800-PR4-A02

4 SEASONS

NEW:
RMFG: 57494



Ø 152 mm
Poly-V5
135 cc
Matsushita / Panasonic NL 1300

38810-PK2-M01

4 SEASONS

NEW:
RMFG: 57570



Ø 102 mm
Poly-V4
135 cc
Sanden TR70

38810-PM5-A01

4 SEASONS

NEW:
RMFG: 67554



Ø 121 mm
Poly-V4
130 cc
Sanden TRF090

38900-P13-JO2 / 79110-SSO-AO1

4 SEASONS

NEW:
RMFG: 77328



Ø 146 mm
Poly-V5
235 cc
Nippondenso 10PA20C

38810-PY3-043

4 SEASONS

NEW:
RMFG: 77341



Ø 131 mm
Poly-V6
190 cc
Nippondenso 10PA17C

38810-P8A-A01

4 SEASONS

NEW:
RMFG: 77383

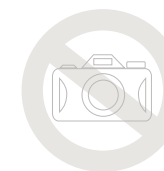


Ø 127 mm
Poly-V6
200 cc
Nippondenso 10S17C

38810-P8E-A01

4 SEASONS

NEW:
RMFG: 77552




Ø 105 mm
Poly-V4
100 cc
Sanden TRSA090

38810-PZA-004

Non contractual pictures / photos non contractuelles / nicht vertragliche Fotos / fotografie non contrattuali / fotos no contractuales


4 SEASONS **NEW:** **RMFG:** **77613**



Ø 108 mm
 Poly-V6
 130 cc
 Sanden TRSA09

38810-PLM-A12


4 SEASONS **NEW:** **RMFG:** **97868**



Ø 105 mm
 Poly-V6
 180 cc
 Keihin

38810-RJH-006 / HS-090L-4A

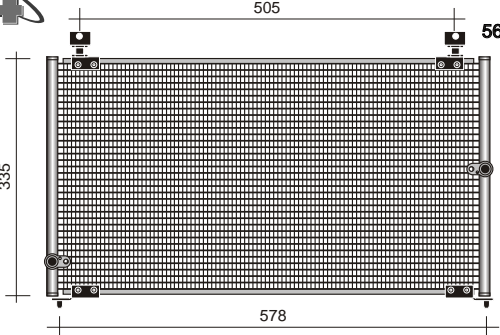
4 SEASONS **NEW:** **RMFG:** **97880**



Ø 105 mm
 Poly-V6
 165 cc
 Delphi CVC

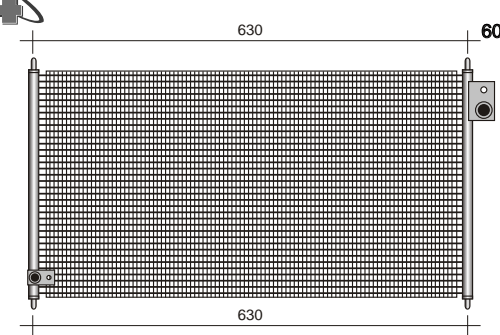
3122161511 / 8972878761 / 8972878762 / 8972878763

4 SEASONS **43000**




80100-SN7-E01

4 SEASONS **43001**



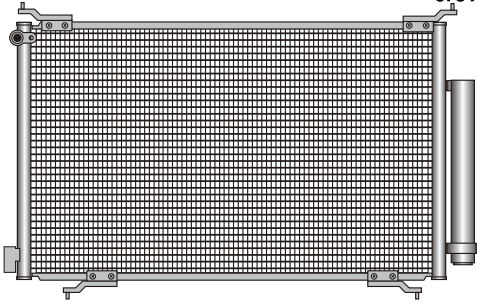
80100-S30-003

4 SEASONS **43121**



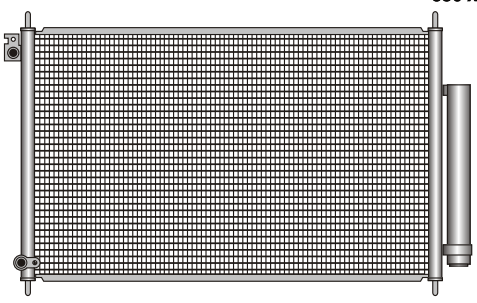
80110-SAA-013

4 SEASONS **43178**



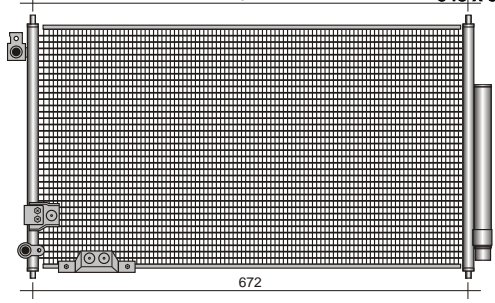
80110-S9A-003

4 SEASONS **43179**



80110-SEA-003

4 SEASONS **43255**



80101-SEF-E11

Non contractual pictures / photos non contractuelles / nicht vertragliche Fotos / fotografie non contrattuali / fotos no contractuales



4 SEASONS **43334**
 595
 590 x 338 x 16
 620
 80351-SMG-E01 / 80351-SMG-E02

4 SEASONS **43358**
 555
 505 x 335 x 19
 342
 530
 80100-S6FE-012 / 80110-S6F-E01

4 SEASONS **43359**
 620 x 367 x 16
 80110-SJH-E01

4 SEASONS **53151**
 600
 572 x 379 x 22
 220
 593
 80100-SD4-003

4 SEASONS **53398**
 628
 615 x 338 x 16
 628
 80100-S87-A00 / 80100-S87-A10

4 SEASONS **53409**
 630
 605 x 345 x 16
 80100-S84-A00 / 80110-S0A-003

4 SEASONS **53434**
 578
 595 x 318 x 22
 578
 80110-S10-003

4 SEASONS **53521**
 335
 592 x 360 x 16
 380
 630
 80110-S1A-G01 / 80110-S1A-G02

4 SEASONS **53522**
 632
 600 x 343 x 21
 B B
 17,00 mm
 A A
 12,00 mm
 632
 655
 80110-S6D-G01

Non contractual pictures / photos non contractuelles / nicht vertragliche Fotos / fotografie non contrattuali / fotos no contractuales

4 SEASONS **53524**
 605 x 320 x 16
 582
 302
 424
 582

80110-SX0-003

4 SEASONS **53788**
 570 x 290 x 18
 475
 305
 610
 ∅17mm.
 ∅14mm.

80100-S74-D10

4 SEASONS **53791**
 650 x 320 x 30
 615
 630
 16,41 mm
 7,33 mm
 16,49 mm
 7,33 mm
 12,20 mm

JRB100180

4 SEASONS **53911**
 330 x 350 x 20
 308
 243
 380
 62

80110-SO1-A11

4 SEASONS **53912**
 330 x 330 x 15
 15 mm
 10 mm
 240
 380

80110-SR1-A13 / 80110-SR1-023 / 80110-SR1-A23 / 80110-SR1A-123 /
 80110-SR3-0231

4 SEASONS **53913**
 600 x 321 x 22
 580
 580
 600

80110-SS0-A11 / 80110-SS0-A12 / 80110-SS0-000

4 SEASONS **53915**
 550 x 310 x 18
 578
 580
 600

80110-SV1-A11 / 80110-SV1-A21

4 SEASONS **53937**
 332 x 330 x 15
 4,8 mm
 7,1 mm
 ∅12,7 mm
 ∅6,5 mm

80110-SR-1A22

4 SEASONS **54316**
 616 x 258 x 22
 640
 630

80110-SH3-A1A

Non contractual pictures / photos non contrattuelles / nicht vertragliche Fotos / fotografie non contrattuali / fotos no contractuales



4 SEASONS

54320

640 x 305 x 23

632

16,8 mm

7,82 mm

16,66 mm

10,49 mm 5,20 mm

80100-SM1-A23

4 SEASONS

54362

645 x 320 x 22

630

115

103

80110-SF1-A1A

4 SEASONS

54167

241 x 229 x 80

80210-SR1-A12 / 80210-ST7-A21 / 80215-ST7-A01

4 SEASONS

54187

286 x 241 x 82

80211-SV1-A21

4 SEASONS

54296

231 x 238 x 80

80215-ST3-G11

4 SEASONS

54658

229 x 242 x 102

80210-SH3-A11

4 SEASONS

54671

203 x 241 x 101

80210-SF1-A21 / 80210-SF1-A22 / 80210-SF1-A01

4 SEASONS

54689

229 x 305 x 89

80210-SM1-A25 / 80210-SM1-A22 / 80210-SM1-A23 / 80210-SM1-A24

4 SEASONS

54690

292 x 292 x 60

80210-S0X-A01

Non contractual pictures / photos non contractuelles / nicht vertragliche Fotos / fotografie non contrattuali / fotos no contractuales

4 SEASONS



54691

240 x 225 x 78



R134a

80215-SR1-A21

4 SEASONS



54706

228 x 279 x 89

80210-SP0-A01

4 SEASONS



54709

216 x 280 x 89

80215-SS0-H01

4 SEASONS

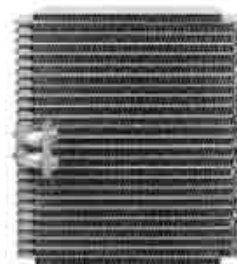


54720

317 x 241 x 83

80210-SM1-Z01

4 SEASONS



54721

241 x 270 x 86

80210-SP0-A01

4 SEASONS



54738

208 x 208 x 59

80215-S5D-G01

4 SEASONS



54870

260 x 234 x 75

80211-S6D-G11 / 80211-S6D-G12

4 SEASONS



54898

213 x 257 x 59

80215-S5D-A01 / 80215-S5D-A02

4 SEASONS



93060

203 x 123 x 35

91110-S04-G11

Non contractual pictures / photos non contractuelles / nicht vertragliche Fotos / fotografie non contrattuali / fotos no contractuales



4 SEASONS



93061
200 x 162 x 25

79110-S6D-G01

4 SEASONS



93063
203 x 178 x 28

79110-S84-A01

4 SEASONS



93070
203 x 178 x 28

79110-S0X-A01 / 79110-S87-A01

4 SEASONS



94692
228 x 165 x 50

79110-SM4-003

4 SEASONS



94693
140 x 50

79110-SF1-003

4 SEASONS



94749
203 x 127 x 50

79110-SH3-A01

4 SEASONS



94750
222 x 127 x 50

79110-SR3-A01

4 SEASONS



94754
207 x 200 x 50

79110-SD4-A01 / 79110-SD4-A02 / 79110-SE0-A01

4 SEASONS



94799
200 x 124 x 50

79110-S04-G01

Non contractual pictures / photos non contractuelles / nicht vertragliche Fotos / fotografie non contrattuali / fotos no contractuales

4 SEASONS

94802
241 x 162 x 41



79110-SV4-A01

4 SEASONS

4 SEASONS

4 SEASONS

33278



80351-SH3-A11

4 SEASONS

33412



80351-SM4-A01 / 80351-SM-1H21

4 SEASONS

33426



80340-SE0-A10 / 80340-SE0-A11 /
80345-SE0-A11 / 80350-SF1-003

4 SEASONS

33569



4 SEASONS

33574



80351-SV1-A11

4 SEASONS

33577



80351-SS0-H91

4 SEASONS

33588



80351-ST7-A11 / 80351-ST7-003

4 SEASONS

33589



80351-SP0-013

4 SEASONS

33595



80351-501-A01 / 80351-504-003

4 SEASONS

33596



80351-SX0-961

Non contractual pictures / photos non contractuelles / nicht vertragliche Fotos / fotografie non contrattuali / fotos no contractuales



4 SEASONS **33823**

80351-S04-901 / 80351-S84-A01 /
80351-S3M-A01

4 SEASONS **83003**

80351-SDA-A01

4 SEASONS **83008**

80351-SDA-A01

4 SEASONS **83019**

80351-SDA-A01

4 SEASONS **38616**

38650-SA5-003

4 SEASONS **38631**

Matsushita A/C

80220-SM4-A03 / 80220-SM2-A11 /
80220-SR1-A11 / 80220-SS0-003

4 SEASONS **38872**

80220-SE0-972 / 80220-SF1-A01 /
80220-SH3-A01 / 80220-SK-7A01

4 SEASONS **39000**

80220-ST7-A12 / 80220-ST7-A03

4 SEASONS **39002**

80220-SV1-A12

4 SEASONS **39005**

80220-S0X-A01

4 SEASONS **39006**

80220-S5A-G01 / 80220-S5A-G02

4 SEASONS **39007**

80220-S6A-013

4 SEASONS **39020**

80220-S5A-003

4 SEASONS **39021**

80221-SDA-A01

4 SEASONS **39090**

80220-S30-003

Non contractual pictures / photos non contractuelles / nicht vertragliche Fotos / fotografie non contrattuali / fotos no contractuales

4 SEASONS **39130**



80220-SP0-013

4 SEASONS **39131**



80220-SP0-J11

4 SEASONS **20945**



80440-SW5-A01

4 SEASONS **20947**



80440-SN7-901

4 SEASONS **35993**



80440-SK3-901

Non contractual pictures / photos non contractuelles / nicht vertragliche Fotos / fotografie non contrattuali / fotos no contractuales