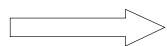




kW PS CC Cyl

<b>H1</b>	6.5 Turbo D	143	195	195	8	01.92 -	<b>88947</b>	<b>57947</b>	<b>83208</b>	<b>20913</b>
<b>H2</b>	6.0	237	322	322		09.04 -	<b>78376US</b>	<b>77376</b>	<b>38638</b>	<b>20913</b>
<b>H2</b>	6.0	237	322	322		09.04 -	<b>78377US</b>	<b>77377</b>	<b>38638</b>	<b>20913</b>



O.E.


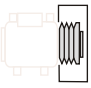


4 SEASONS	Page	4 SEASONS	Page	4 SEASONS	Page	4 SEASONS	Page	4 SEASONS	Page
<b>20913</b>	221								
<b>38638</b>	221								
<b>54873</b>	221								
<b>54914</b>	221								
<b>57947</b>	221								
<b>77376</b>	221								
<b>77377</b>	221								
<b>83208</b>	221								
<b>88947</b>	221								
<b>78376US</b>	221								
<b>78377US</b>	221								

O.E.	4 SEASONS	O.E.	4 SEASONS	O.E.	4 SEASONS
1136558	<b>88947</b>				
15100337	<b>77377</b>				
15100337	<b>78377US</b>				
15100338	<b>77376</b>				
15100338	<b>78376US</b>				
88986628	<b>54914</b>				

**4 SEASONS**

**NEW: 88947**  
**RMFG: 57947**


**48655**

Ø 108 mm  
Poly-V6  
235 cc  
Harrison HT6

1136558

**4 SEASONS**

**NEW: 78376US**  
**RMFG: 77376**




Ø 108 mm  
Poly-V4  
220 cc  
Nippondenso 10S20F

⚠  
With double A/C  
15100338

**4 SEASONS**

**NEW: 78377US**  
**RMFG: 77377**



Ø 108 mm  
Poly-V4  
200 cc  
Nippondenso 10S17F

⚠  
With single A/C  
15100337

**4 SEASONS**

**54873**



88986628

**4 SEASONS**

**54914**



88986628

**4 SEASONS**

**4 SEASONS**

**83208**



**4 SEASONS**

**38638**



⚠  
Red

**4 SEASONS**

**20913**



Non contractual pictures / photos non contractuelles / nicht vertragliche Fotos / fotografie non contrattuali / fotos no contractuales