



		kW	PS	CC	Cyl							
<b>S-Type (CCX)</b>	3.0 V6	175	238	2967	6	AJ-V6	01.99 -	<b>68133</b>	<b>67133</b>	<b>83920</b>		<b>54604</b>
<b>S-Type (CCX)</b>	4.0 V8	203	276	3996	8	AJ-V8	01.99 - 04.02	<b>68134</b>		<b>83920</b>		<b>54604</b>
<b>X-Type (CF1)</b>	2.0 V6	115	156	2099	6		03.02 -	<b>68133</b>	<b>67133</b>	<b>83921</b>		
<b>X-Type (CF1)</b>	2.5 V6	144	196	2495	6		06.01 -	<b>68133</b>	<b>67133</b>	<b>83921</b>		
<b>X-Type (CF1)</b>	3.0 V6	169	230	2967	6		06.01 -	<b>68133</b>	<b>67133</b>	<b>83921</b>		
<b>X-Type (CF1)</b>	2.2 D	114	155	2198	4		10.05 -				<b>43319</b>	
<b>X-Type Estate</b>	2.5	144	196	2495	6		02.04 -	<b>68133</b>	<b>67133</b>	<b>83921</b>		
<b>X-Type Estate</b>	3.0	169	230	2967	6		02.04 -	<b>68133</b>	<b>67133</b>	<b>83921</b>		
<b>X-Type Estate</b>	2.2 D	114	155	2198	4		10.05 -				<b>43319</b>	
<b>XJ</b>	6 2.8	110	149	2791	6		09.68 - 09.73		<b>57089</b>	<b>33318</b>	<b>38604</b>	
<b>XJ</b>	6 3.4	119	162	3442	6	XK 3.4 (82-86)	05.75 - 10.86	<b>58096</b>	<b>57096</b>	<b>33954</b>	<b>38604</b>	<b>53839</b>
<b>XJ</b>	6 3.4	119	162	3442	6	XK 3.4 (82-86)	05.75 - 10.86	<b>58098</b>	<b>57098</b>	<b>33318</b>	<b>38604</b>	<b>53839</b>
<b>XJ</b>	6 4.2	124	169	4235	6	XK 4.2 (-79)	01.75 - 09.79		<b>57089</b>	<b>33318</b>	<b>38604</b>	<b>53839</b>
<b>XJ</b>	6 4.2	127	173	4235	6		01.75 - 12.79		<b>57089</b>	<b>33318</b>	<b>38604</b>	<b>53839</b>
<b>XJ</b>	6 4.2	130	177	4235	6		09.85 - 12.86	<b>58096</b>	<b>57096</b>	<b>33954</b>	<b>38872</b>	<b>53839</b>
<b>XJ</b>	6 4.2	130	177	4235	6		09.85 - 12.86	<b>58098</b>	<b>57098</b>	<b>33318</b>	<b>38872</b>	<b>53839</b>
<b>XJ</b>	6 4.2	133	181	4235	6		09.85 - 12.86	<b>58096</b>	<b>57096</b>	<b>33954</b>	<b>38872</b>	<b>53839</b>
<b>XJ</b>	6 4.2	133	181	4235	6		09.85 - 12.86	<b>58098</b>	<b>57098</b>	<b>33318</b>	<b>38872</b>	<b>53839</b>
<b>XJ</b>	6 4.2	137	186	4235	6		10.69 - 05.75		<b>57089</b>	<b>33318</b>	<b>38604</b>	
<b>XJ</b>	6 4.2	151	205	4235	6	XK 4.2 (82-87)	09.79 - 12.87	<b>58096</b>	<b>57096</b>	<b>33954</b>	<b>38604</b>	<b>53839</b>
<b>XJ</b>	6 4.2	151	205	4235	6	XK 4.2 (82-87)	09.79 - 12.87	<b>58098</b>	<b>57098</b>	<b>33318</b>	<b>38604</b>	<b>53839</b>
<b>XJ</b>	12 5.3	186	253	5343	12		09.73 - 12.76		<b>57089</b>	<b>33318</b>	<b>38604</b>	<b>53843</b>
<b>XJ</b>	12 5.3	187	254	5343	12		08.86 - 09.89	<b>58096</b>	<b>57096</b>	<b>33492</b>	<b>38872</b>	<b>53843</b>
<b>XJ</b>	12 5.3	187	254	5343	12		08.86 - 09.89	<b>58098</b>	<b>57098</b>	<b>33492</b>	<b>38872</b>	<b>53843</b>
<b>XJ</b>	Sovereign V12	194	264	5344	12	7P	10.86 - 89	<b>58586</b>	<b>57586</b>	<b>33492</b>	<b>38872</b>	<b>53843</b>
<b>XJ</b>	Sovereign V12	194	264	5344	12	7P	90 - 12.92	<b>68528</b>		<b>33492</b>	<b>38872</b>	<b>54684</b>
<b>XJ</b>	Sovereign V12	197	268	5343	12	V 12 (90-93, 197KW)	07.85 - 89	<b>58586</b>	<b>57586</b>	<b>33492</b>	<b>38872</b>	<b>53843</b>
<b>XJ</b>	Sovereign V12	197	268	5343	12	V 12 (90-93, 197KW)	90 - 12.92	<b>68528</b>		<b>33492</b>	<b>38872</b>	<b>54684</b>
<b>XJ</b>	12 5.3	198	269	5343	12		06.72 - 09.73		<b>57089</b>	<b>33318</b>	<b>38604</b>	<b>53843</b>
<b>XJ</b>	12 5.3	211	287	5343	12	V 12 (75-79)	05.75 - 12.82	<b>58096</b>	<b>57096</b>	<b>33954</b>	<b>38604</b>	<b>53843</b>
<b>XJ</b>	12 5.3	211	287	5343	12	V 12 (75-79)	05.75 - 12.82	<b>58098</b>	<b>57098</b>	<b>33318</b>	<b>38604</b>	<b>53843</b>
<b>XJ</b>	12 H.E.	217	295	5343	12	V 12 (82-90)	09.81 - 84	<b>58096</b>	<b>57096</b>	<b>33492</b>	<b>38872</b>	<b>54665</b>
<b>XJ</b>	12 H.E.	217	295	5343	12	V 12 (82-90)	09.81 - 84	<b>58098</b>	<b>57098</b>	<b>33492</b>	<b>38872</b>	<b>54665</b>
<b>XJ</b>	12 H.E.	217	295	5343	12	V 12 (82-90)	85 - 12.92	<b>58096</b>	<b>57096</b>	<b>33492</b>	<b>38872</b>	<b>54684</b>
<b>XJ</b>	12 H.E.	217	295	5343	12	V 12 (82-90)	85 - 12.92	<b>58098</b>	<b>57098</b>	<b>33492</b>	<b>38872</b>	<b>54684</b>
<b>XJ (XJ 40, 81)</b>	6 2.9	108	147	2919	6	AJ 6 (2.9, KAT)	10.86 - 12.88	<b>58096</b>	<b>57096</b>	<b>33497</b>	<b>38602</b>	
<b>XJ (XJ 40, 81)</b>	6 2.9	108	147	2919	6	AJ 6 (2.9, KAT)	10.86 - 12.88	<b>58098</b>	<b>57098</b>	<b>33497</b>	<b>38602</b>	
<b>XJ (XJ 40, 81)</b>	6 2.9	108	147	2919	6	AJ 6 (2.9, KAT)	01.89 - 08.90	<b>58746</b>		<b>33497</b>	<b>38602</b>	<b>53675</b>
<b>XJ (XJ 40, 81)</b>	6 2.9	117	159	2919	6	AJ 6 (2.9)	10.86 - 12.88	<b>58096</b>	<b>57096</b>	<b>33497</b>	<b>38602</b>	
<b>XJ (XJ 40, 81)</b>	6 2.9	117	159	2919	6	AJ 6 (2.9)	10.86 - 12.88	<b>58098</b>	<b>57098</b>	<b>33497</b>	<b>38602</b>	
<b>XJ (XJ 40, 81)</b>	6 2.9	117	159	2919	6	AJ 6 (2.9)	01.89 - 08.90	<b>58746</b>		<b>33497</b>	<b>38602</b>	<b>53675</b>

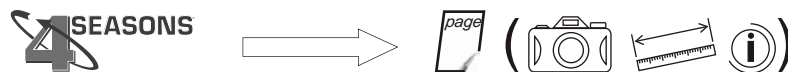


kW PS CC Cyl

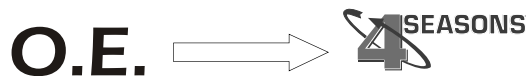
<i>XJ (XJ 40, 81)</i>	6 2.9	123	167	2919	6	AJ 6 (2.9)	10.86 - 12.88	<b>58096</b>	<b>57096</b>	<b>33497</b>	<b>38602</b>	
<i>XJ (XJ 40, 81)</i>	6 2.9	123	167	2919	6	AJ 6 (2.9)	10.86 - 12.88	<b>58098</b>	<b>57098</b>	<b>33497</b>	<b>38602</b>	
<i>XJ (XJ 40, 81)</i>	6 2.9	123	167	2919	6	AJ 6 (2.9)	01.89 - 08.90	<b>58746</b>		<b>33497</b>	<b>38602</b>	<b>53675</b>
<i>XJ (XJ 40, 81)</i>	6 3.2 24V	146	199	3239	6	9BPMNA	09.90 - 12.91	<b>68528</b>		<b>33497</b>	<b>38602</b>	<b>53675</b>
<i>XJ (XJ 40, 81)</i>	6 3.2 24V	146	199	3239	6	9BPMNA	01.92 - 08.94	<b>58746</b>		<b>33494</b>	<b>38882</b>	<b>53840</b>
<i>XJ (XJ 40, 81)</i>	6 3.2 24V	146	199	3239	6	9BPMNA	09.94 - 11.94	<b>68331</b>	<b>67331</b>	<b>33494</b>	<b>38882</b>	<b>54684</b>
<i>XJ (XJ 40, 81)</i>	6 3.6	136	185	3590	6		10.86 - 12.88	<b>58096</b>	<b>57096</b>	<b>33497</b>	<b>38602</b>	
<i>XJ (XJ 40, 81)</i>	6 3.6	136	185	3590	6		10.86 - 12.88	<b>58098</b>	<b>57098</b>	<b>33497</b>	<b>38602</b>	
<i>XJ (XJ 40, 81)</i>	6 3.6	136	185	3590	6		01.89 - 08.89	<b>58746</b>		<b>33497</b>	<b>38602</b>	<b>53675</b>
<i>XJ (XJ 40, 81)</i>	6 3.6	145	197	3590	6	9DPANA	10.86 - 12.88	<b>58096</b>	<b>57096</b>	<b>33497</b>	<b>38602</b>	
<i>XJ (XJ 40, 81)</i>	6 3.6	145	197	3590	6	9DPANA	10.86 - 12.88	<b>58098</b>	<b>57098</b>	<b>33497</b>	<b>38602</b>	
<i>XJ (XJ 40, 81)</i>	6 3.6	145	197	3590	6	9DPANA	01.89 - 08.89	<b>58746</b>		<b>33497</b>	<b>38602</b>	<b>53675</b>
<i>XJ (XJ 40, 81)</i>	6 3.6	156	212	3590	6	AJ 6 (3.6, 156KW)	10.86 - 12.88	<b>58096</b>	<b>57096</b>	<b>33497</b>	<b>38602</b>	
<i>XJ (XJ 40, 81)</i>	6 3.6	156	212	3590	6	AJ 6 (3.6, 156KW)	10.86 - 12.88	<b>58098</b>	<b>57098</b>	<b>33497</b>	<b>38602</b>	
<i>XJ (XJ 40, 81)</i>	6 3.6	156	212	3590	6	AJ 6 (3.6, 156KW)	01.89 - 08.89	<b>58746</b>		<b>33497</b>	<b>38602</b>	<b>53675</b>
<i>XJ (XJ 40, 81)</i>	6 4.0	163	222	3980	6	9EPCNA	09.89 - 12.91	<b>68528</b>		<b>33497</b>	<b>38602</b>	<b>53675</b>
<i>XJ (XJ 40, 81)</i>	6 4.0	163	222	3980	6	9EPCNA	01.92 - 08.94	<b>58746</b>		<b>33494</b>	<b>38882</b>	
<i>XJ (XJ 40, 81)</i>	6 4.0	163	222	3980	6	9EPCNA	09.94 - 11.94	<b>68331</b>	<b>67331</b>	<b>33494</b>	<b>38882</b>	<b>54684</b>
<i>XJ (XJ 40, 81)</i>	V12 6.0	229	311	5993	12	8C (92-94)	03.93 - 11.94	<b>68528</b>		<b>33494</b>	<b>38882</b>	<b>53840</b> <b>54684</b>
<i>XJ (X300)</i>	6 3.2	155	211	3239	6	9JPGRB	11.94 - VEH 812316	<b>68331</b>	<b>67331</b>	<b>33494</b>	<b>38822</b>	<b>53841</b>
<i>XJ (X300)</i>	6 3.2	155	211	3239	6	9JPGRB		<b>68331</b>	<b>67331</b>	<b>33494</b>	<b>38822</b>	<b>53841</b> <b>54684</b>
<i>XJ (X300)</i>	6 Sovereign 4.0	177	241	3980	6	9JPFRB	11.94 - VEH 812316	<b>68331</b>	<b>67331</b>	<b>33494</b>	<b>38822</b>	<b>53841</b> <b>54684</b>
<i>XJ (X300)</i>	6 Sovereign 4.0	177	241	3980	6	9JPFRB		<b>68331</b>	<b>67331</b>	<b>33494</b>	<b>38822</b>	<b>53841</b> <b>54684</b>
<i>XJ (X300)</i>	R Super Charged 4.0	235	320	3980	6	9KPDRB	11.94 - VEH 812316	<b>68331</b>	<b>67331</b>	<b>33494</b>	<b>38822</b>	<b>53841</b> <b>54684</b>
<i>XJ (X300)</i>	R Super Charged 4.0	235	320	3980	6	9KPDRB		<b>68331</b>	<b>67331</b>	<b>33494</b>	<b>38822</b>	<b>53841</b> <b>54684</b>
<i>XJ (X300)</i>	12 6.0	229	311	5993	12	8E	11.94 -	<b>68590</b>	<b>67566</b>	<b>33494</b>	<b>38822</b>	<b>54684</b>
<i>XJ (NAW, NBW)</i>	8 3.2	174	237	3248	8		07.97 - 05.03			<b>33957</b>		
<i>XJ (NAW, NBW)</i>	R 4.0	267	363	3996	8	DC	07.97 - 07.99			<b>33957</b>		
<i>XJS coupé</i>	3.6	136	185	3590	6		01.88 - 05.92	<b>58739</b>		<b>33492</b>		<b>53843</b>
<i>XJS coupé</i>	3.6	146	199	3590	6	9DPALA, 9DPANA	01.88 - 05.91	<b>58739</b>		<b>33492</b>		<b>53843</b>
<i>XJS coupé</i>	3.6	156	212	3590	6	AJ 6 (3.6, 156KW)	08.87 - 12.89	<b>58739</b>		<b>33492</b>		<b>53843</b>
<i>XJS coupé</i>	3.6	162	220	3590	6	AJ 6 (3.6, 162KW)	10.83 - 12.88			<b>33492</b>		<b>53843</b>
<i>XJS coupé</i>	4.0	163	222	3980	6	9EPCNA	05.91 - 09.94	<b>58586</b>	<b>57586</b>	<b>33955</b>	<b>38822</b>	<b>53844</b>
<i>XJS coupé</i>	4.0	171	233	3980	6	9LPFRB	07.94 - 03.96	<b>68528</b>		<b>33955</b>	<b>38822</b>	<b>53842</b>
<i>XJS coupé</i>	5.3 H.E.	194	264	5343	12	8S (86-88)	01.86 - 12.89	<b>58586</b>	<b>57586</b>	<b>33492</b>		<b>53843</b>
<i>XJS coupé</i>	5.3	197	268	5343	12		01.86 - 12.89	<b>58586</b>	<b>57586</b>	<b>33492</b>		<b>53843</b>
<i>XJS coupé</i>	5.3	202	275	5344	12	8C (88-92)	01.88 - 06.91	<b>58586</b>	<b>57586</b>	<b>33492</b>		<b>53843</b>
<i>XJS coupé</i>	5.3	207	282	5344	12	8S (92-93)	05.91 - 08.93	<b>58586</b>	<b>57586</b>	<b>33955</b>		
<i>XJS coupé</i>	5.3	211	287	5344	12	V 12 (90-93, 211KW)	01.88 - 05.92	<b>58586</b>	<b>57586</b>	<b>33492</b>		<b>53843</b>
<i>XJS coupé</i>	5.3	213	289	5343	12		09.75 - 07.81			<b>33318</b>		
<i>XJS coupé</i>	5.3 H.E.	217	295	5343	12	V 12 (82-90)	07.81 - 12.87	<b>58586</b>	<b>57586</b>	<b>33318</b>		
<i>XJS coupé</i>	6.0	222	302	5993	12	8D	05.93 - 03.96	<b>68528</b>		<b>33955</b>	<b>38822</b>	<b>53844</b>



		kW	PS	CC	Cyl						
<i>XJSC Convertible</i>	3.6	136	185	3590	6		08.87 - 05.91	<b>58739</b>	<b>33492</b>	<b>53843</b>	
<i>XJSC Convertible</i>	3.6	156	212	3590	6	AJ 6 (3.6, 156KW)	08.87 - 05.91	<b>58739</b>	<b>33492</b>	<b>53843</b>	
<i>XJSC Convertible</i>	3.6	162	220	3590	6	AJ 6 (3.6, 162KW)	10.86 - 12.88	<b>58739</b>	<b>33492</b>	<b>53843</b>	
<i>XJSC Convertible</i>	4.0	163	222	3980	6	9EPCNA	05.91 - 09.94	<b>68528</b>	<b>33955</b>	<b>38822</b>	<b>53844</b>
<i>XJSC Convertible</i>	4.0	171	233	3980	6	9LPFRB	07.94 - 03.96	<b>68528</b>	<b>33955</b>	<b>38822</b>	<b>53842</b>
<i>XJSC Convertible</i>	5.3 H.E.	194	264	5343	12	8S (86-88)	07.85 - 05.92	<b>58586</b>	<b>57586</b>	<b>33492</b>	<b>53843</b>
<i>XJSC Convertible</i>	5.3	197	268	5343	12		01.86 - 05.88	<b>58586</b>	<b>57586</b>	<b>33492</b>	<b>53843</b>
<i>XJSC Convertible</i>	5.3	202	275	5344	12	8C (88-92)	01.88 - 09.91	<b>58586</b>	<b>57586</b>	<b>33492</b>	<b>53843</b>
<i>XJSC Convertible</i>	5.3	207	282	5344	12	8S (92-93)	05.91 - 08.93	<b>58586</b>	<b>57586</b>	<b>33955</b>	
<i>XJSC Convertible</i>	5.3	211	287	5344	12	V 12 (90-93, 211KW)	01.88 - 05.92	<b>58586</b>	<b>57586</b>	<b>33492</b>	<b>53843</b>
<i>XJSC Convertible</i>	5.3 H.E.	217	295	5343	12	V 12 (82-90)	09.85 - 12.90	<b>58586</b>	<b>57586</b>	<b>33492</b>	<b>53843</b>
<i>XJSC Convertible</i>	6.0	222	302	5993	12	8D	05.93 - 03.96	<b>68528</b>	<b>33955</b>	<b>38822</b>	<b>53844</b>
<i>XK 8 coupé (QEV)</i>	4.0	209	284	3996	8	CC, CE	03.96 -	<b>78392</b>	<b>77392</b>	<b>33525</b>	<b>53253</b>
<i>XK 8 coupé (QEV)</i>	4.0	209	284	3996	8	CC, CE	03.96 -	<b>78392</b>	<b>77392</b>	<b>33956</b>	<b>53253</b>
<i>XK 8 coupé (QEV)</i>	4.0	267	363	3996	8	EC	02.98 -	<b>78392</b>	<b>77392</b>	<b>33525</b>	<b>53253</b>
<i>XK 8 coupé (QEV)</i>	4.0	267	363	3996	8	EC	02.98 -	<b>78392</b>	<b>77392</b>	<b>33956</b>	<b>53253</b>
<i>XK 8 coupé (QEV)</i>	4.2	219	298	4196	8		08.02 -			<b>33525</b>	
<i>XK 8 coupé (QEV)</i>	4.2	219	298	4196	8		08.02 -			<b>33956</b>	
<i>XK 8 coupé (QEV)</i>	R 4.2	291	396	4196	8		08.02 -			<b>33525</b>	
<i>XK 8 coupé (QEV)</i>	R 4.2	291	396	4196	8		08.02 -			<b>33956</b>	
<i>XK 8 Convertible (QDV)</i>	4.0	209	284	3996	8	CC, CE	03.96 -	<b>78392</b>	<b>77392</b>	<b>33525</b>	<b>53253</b>
<i>XK 8 Convertible (QDV)</i>	4.0	209	284	3996	8	CC, CE	03.96 -	<b>78392</b>	<b>77392</b>	<b>33956</b>	<b>53253</b>
<i>XK 8 Convertible (QDV)</i>	4.0	267	363	3996	8	EC	02.98 -	<b>78392</b>	<b>77392</b>	<b>33525</b>	<b>53253</b>
<i>XK 8 Convertible (QDV)</i>	4.0	267	363	3996	8	EC	02.98 -	<b>78392</b>	<b>77392</b>	<b>33956</b>	<b>53253</b>
<i>XK 8 Convertible (QDV)</i>	4.2	219	298	4196	8		08.02 -			<b>33525</b>	
<i>XK 8 Convertible (QDV)</i>	4.2	219	298	4196	8		08.02 -			<b>33956</b>	
<i>XK 8 Convertible (QDV)</i>	R 4.2	291	396	4196	8		08.02 -			<b>33525</b>	
<i>XK 8 Convertible (QDV)</i>	R 4.2	291	396	4196	8		08.02 -			<b>33956</b>	



SEASONS	Page	SEASONS	Page	SEASONS	Page	SEASONS	Page	SEASONS	Page	SEASONS	Page	SEASONS	Page	SEASONS	Page
<b>33318</b>	255	<b>53253</b>	253	<b>58096</b>	252	<b>83920</b>	255								
<b>33492</b>	255	<b>53675</b>	253	<b>58098</b>	252	<b>83921</b>	255								
<b>33494</b>	255	<b>53839</b>	253	<b>58586</b>	252	<b>93047</b>	254								
<b>33497</b>	255	<b>53840</b>	253	<b>58739</b>	252										
<b>33525</b>	255	<b>53841</b>	253	<b>58746</b>	252										
<b>33954</b>	255	<b>53842</b>	254	<b>67133</b>	252										
<b>33955</b>	255	<b>53843</b>	254	<b>67331</b>	253										
<b>33956</b>	255	<b>53844</b>	254	<b>67566</b>	252										
<b>33957</b>	255	<b>54604</b>	254	<b>68133</b>	252										
<b>38602</b>	255	<b>54665</b>	254	<b>68134</b>	252										
<b>38604</b>	255	<b>54684</b>	254	<b>68331</b>	253										
<b>38822</b>	255	<b>57089</b>	253	<b>68528</b>	252										
<b>38872</b>	256	<b>57096</b>	252	<b>68590</b>	252										
<b>38882</b>	256	<b>57098</b>	252	<b>77392</b>	253										
<b>43319</b>	253	<b>57586</b>	252	<b>78392</b>	253										



447200-5420	<b>77392</b>	CBC2319	<b>33497</b>	EAC3386	<b>57098</b>	MHE7300AA	<b>58746</b>	MNA7390AB	<b>53673</b>		
AEU1191	<b>54665</b>	CBC2809	<b>53839</b>	EAC3386	<b>58098</b>	MJA7390AB	<b>53253</b>	MNA7392AA	<b>53841</b>		
AJ812568	<b>68134</b>	CBC2846	<b>53843</b>	EAC9616	<b>57096</b>	MJA7390AC	<b>53253</b>	MNC7412AB	<b>33957</b>		
C2S19412	<b>68133</b>	CBC6037	<b>53843</b>	EAC9616	<b>58096</b>	MJA7390AD	<b>53253</b>	RTC693	<b>38604</b>		
C2S19412	<b>67133</b>	CBC6522	<b>57586</b>	JLM002161	<b>54684</b>	MJA7410AD	<b>33956</b>	XR81188	<b>68134</b>		
C2S2997	<b>54604</b>	CBC6522	<b>58586</b>	JLM1228	<b>38872</b>	MJA7410AE	<b>33525</b>	XR818884	<b>68134</b>		
C2S31605	<b>43319</b>	CBC8074	<b>53675</b>	JLM20608	<b>54684</b>	MJD7390AB	<b>53253</b>	XR820839	<b>68133</b>		
C2S45122	<b>43319</b>	CBC8540	<b>53843</b>	MCA7300AA	<b>77392</b>	MJD7390AC	<b>53253</b>	XR820839	<b>67133</b>		
C2S4732	<b>83921</b>	CBC9754	<b>33494</b>	MCA7300AA	<b>78392</b>	MJD7390AD	<b>53253</b>	XR82897	<b>68133</b>		
C2S47472	<b>68133</b>	CBC9822	<b>53840</b>	MCA7300AD	<b>77392</b>	MMC6442AA	<b>38822</b>	XR82897	<b>67133</b>		
C2S47472	<b>67133</b>	CBC9823	<b>53840</b>	MCA7300AD	<b>78392</b>	MMC7300AA	<b>68590</b>	XR850847	<b>68134</b>		
CAC1622	<b>33318</b>	CCC3778	<b>38882</b>	MCA7300AE	<b>77392</b>	MMD7410AA	<b>33494</b>	XR88040	<b>83920</b>		
CAC1881	<b>33492</b>	CCC4915	<b>38872</b>	MCA7300AE	<b>78392</b>	MNA7300AA	<b>67331</b>	XR89201	<b>68133</b>		
CAC2338	<b>33954</b>	CCC4929	<b>67528</b>	MCA7300AE	<b>78392</b>	MNA7300AA	<b>68331</b>	XR89201	<b>67133</b>		
CAC2423	<b>38872</b>	CCC4929	<b>68528</b>	MHC7300AA	<b>58739</b>	MNA7300AB	<b>68331</b>	XR89202	<b>68134</b>		
CAC5934	<b>38872</b>	CCC6535	<b>67566</b>	MHD7390AA	<b>53844</b>	MNA7300AB	<b>67331</b>	XW4Z18476AA	<b>93047</b>		
CAC8169	<b>38602</b>	CCC6535	<b>68590</b>	MHD7390BA	<b>53842</b>	MNA7390AA	<b>53841</b>				
		CCC6535		MHD7410AB	<b>33955</b>						



4 SEASONS

NEW: **58096**  
RMFG: **57096**Ø 127 mm  
1 G - A  
295 cc  
Harrison / GM A6  
High Pressure

EAC9616

4 SEASONS

NEW: **58098**  
RMFG: **57098**Ø 127 mm  
1 G - A  
295 cc  
Harrison / GM A6  
Superheat

EAC3386

4 SEASONS

NEW: **58586**  
RMFG: **57586**Ø 132 mm  
1 G - A  
135 cc  
Sanden 709

CBC6522

4 SEASONS

NEW: **58739**  
RMFG: **57739**Ø 132 mm  
1 G - A  
135 cc  
Sanden 709

MHC7300AA

4 SEASONS

NEW: **58746**  
RMFG: **57746**Ø 132 mm  
1 G - A  
135 cc  
Sanden 7H15

MHE7300AA

4 SEASONS

NEW: **68133**  
RMFG: **67133**Ø 97 mm  
Poly-V6  
140 cc  
Ford Scroll

C2S19412 / C2S47472 / XR82897 / XR89201

4 SEASONS

NEW: **68134**  
RMFG: **67134**Ø 97 mm  
Poly-V6  
140 cc  
Ford Scroll

AJ812568 / XR818884 / XR850847 / XR81188 / XR89202

4 SEASONS

NEW: **68528**  
RMFG: **67528**Ø 132 mm  
1 G - A  
135 cc  
Sanden 709

CCC4929

4 SEASONS

NEW: **68590**  
RMFG: **67566**Ø 128 mm  
Poly-V7  
135 cc  
Sanden 7H15

MMC7300AA / CCC6535

**4 SEASONS**

**NEW: 78392**  
**RMFG: 77392**



$\varnothing$  125 mm  
 Poly-V7  
 200 cc  
 Nippondenso 10PA17C

MCA7300AA / MCA7300AD / MCA7300AE

**4 SEASONS**

**NEW: [ ]**  
**RMFG: 57089**




$\varnothing$  132 mm  
 1 G - A  
 295 cc  
 Harrison / GM A6  
 Superheat

1131242 / 1131250 / 1131259

**4 SEASONS**

**NEW: 68331**  
**RMFG: 67331**



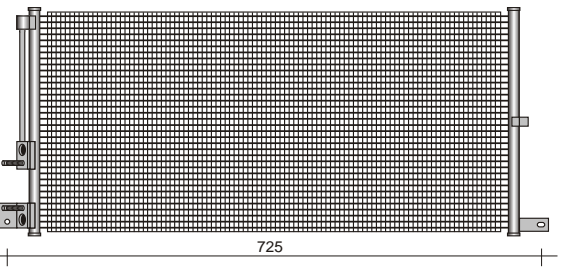
$\varnothing$  125 mm  
 Poly-V4  
 200 cc  
 Nippondenso 10PA17C

MNA7300AA / MNA7300AB

**4 SEASONS**

**43319**

631 x 308 x 16



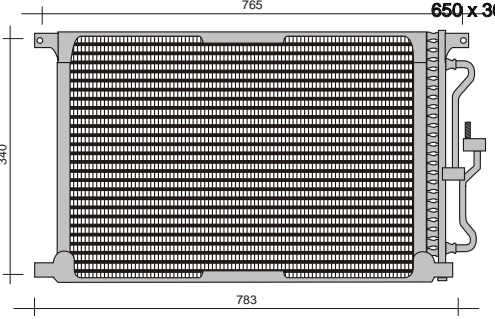
725

C2S31605 / C2S45122

**4 SEASONS**

**53253**

650 x 362 x 22



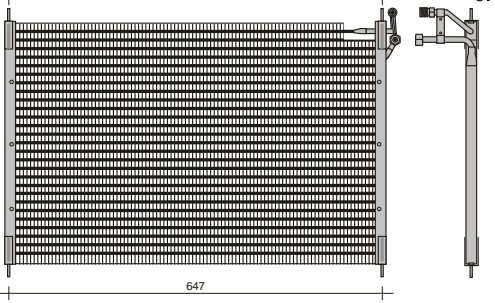
785, 340, 783

MJA7390AB / MJA7390AC / MJA7390AD / MJD7390AB / MJD7390AC / MJD7390AD

**4 SEASONS**

**53675**

675 x 450 x 26



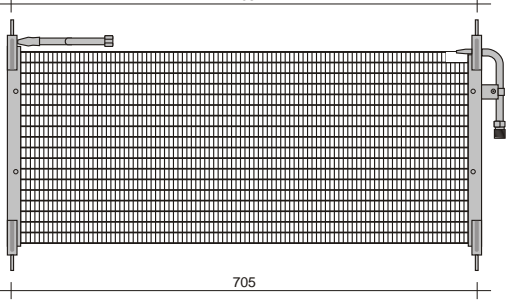
647, 647

CBC8074

**4 SEASONS**

**53839**

675 x 288 x 22



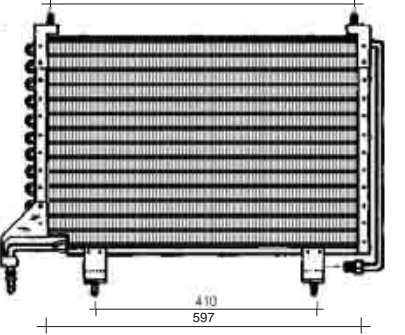
705, 705

CBC2809

**4 SEASONS**

**53840**

650 x 406 x 25



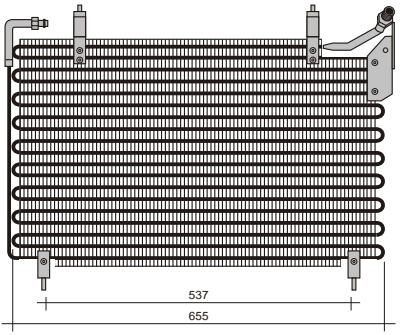
537, 483, 410, 597

CBC9822 / CBC9823

**4 SEASONS**

**53841**

655 x 424 x 24



410, 537, 655

MNA7390AA / MNA7392AA

Non contractual pictures / photos non contractuelles / nicht vertragliche Fotos / fotografie non contrattuali / fotos no contractuales



**4 SEASONS** **53842**  
 642 x 280 x 25  
 699  
 452  
 560  
 MHD7390BA

**4 SEASONS** **53843**  
 680 x 290 x 25  
 703  
 335  
 82  
 106  
 703  
 CBC2846 / CBC6037 / CBC8540

**4 SEASONS** **53844**  
 660 x 340 x 22  
 699  
 452  
 560  
 MHD7390AA

**4 SEASONS** **54604**  
 244 x 269 x 80  
 C2S2997

**4 SEASONS** **54665**  
 356 x 216 x 95  
 AEU1191

**4 SEASONS** **54684**  
 235 x 178 x 83  
 JLM002161 / JLM20608

**4 SEASONS** **93047**  
 210 x 197 x 29  
 XW4Z18476AA

**4 SEASONS**

**4 SEASONS**

Non contractual pictures / photos non contractuelles / nicht vertragliche Fotos / fotografie non contrattuali / fotos no contractuales

**4 SEASONS** **33318**



CAC1622

**4 SEASONS** **33492**



419 mm

CAC1881

**4 SEASONS** **33494**



520 mm

MMD7410AA / CBC9754

**4 SEASONS** **33497**



CBC2319

**4 SEASONS** **33525**




MJA7410AE

**4 SEASONS** **33954**



CAC2338

**4 SEASONS** **33955**



435 mm

MHD7410AB

**4 SEASONS** **33956**



MJA7410AD

**4 SEASONS** **33957**



MNC7412AB

**4 SEASONS** **83920**



XR88040

**4 SEASONS** **83921**



C2S4732

**4 SEASONS** **38602**



CAC8169

**4 SEASONS** **38604**



RTC693

**4 SEASONS** **38822**



MMC6442AA

Non contractual pictures / photos non contractuelles / nicht vertragliche Fotos / fotografie non contrattuali / fotos no contractuales

