



		kW	PS	CC	Cyl						
Carens I (FC)	1.8	81	110	1793	4	11.00 - 07.02		33586		43013	
Carens II	1.6	77	105	1594	4	07.02 -		98845	83586	43301	
Carens II	1.8	93	126	1793	4	07.02 -		98845	83586	43301	
Carens II	2.0 CRDi	83	113	1991	4	07.02 -		98847	83586	43301	
Carens III	2.0 CVVT	106	144	1998	4 G4KA	09.06 -				43277	
Carens III	2.0 CRDi	103	140	1991	4 D4EA	09.06 -				43278	
Carnival (UP)	2.5 V6	121	165	2497	6	08.99 - 10.01		68194	83585	53441	93851
Carnival (UP)	2.9 TD	93	126	2903	4	08.99 - 10.01		78390	97974	83585	53441
Carnival II / Sedona	2.5 V6	110	150	2497	6	10.01 -		58119	83587	39182	93851
Carnival II / Sedona	3.5	143	194	3497	6	07.02 -		58119	83587	39182	93852
Carnival II / Sedona	2.9 CRDi	106	144	2902	4	10.01 -		78390	97974	83585	39182
Carnival III / Sedona	2.7 V6	139	189	2656	6	06.06 -			34976		
Carnival III / Sedona	2.9 CRDi	136	185	2902	4	06.06 -			34976		
Clarus / Credos (K9A)	1.8 i 16V	85	116	1793	4 T8	07.96 -		58180	34979	43014	
Clarus / Credos (K9A)	2.0 i 16V	98	133	1998	4 FE (16 V)	07.96 -		68348	34979	43014	
Clarus / Credos (K9A)	1.8 i 16V	85	116	1793	4 T8	05.98 -		58180	34979	43014	
Clarus / Credos (K9A)	2.0 i 16V	98	133	1998	4 FE (16 V)	05.98 -		68348	34979	43014	
Cee'd	1.4	80	109	1396	4 G4FA	12.06 -		98810		43320	
Cee'd	1.6	90	122	1591	4 G4FC	12.06 -		98810		43320	
Cee'd	2.0	105	143	1975	4 G4GC	12.06 -		98808		43320	
Cee'd	1.6 CRDi 90	66	90	1582	4 D4FB-L	12.06 -		98811		43321	
Cee'd	1.6 CRDi 115	85	115	1582	4 D4FB	12.06 -		98811		43321	
Cee'd	2.0 CRDi	103	140	1991	4 D4EA-F	09.07 -		98809		43321	
Cerato	1.6	77	105	1599	4	07.04 -		58186	83161	39119	43181
Cerato	2.0	105	143	1975	4	04.04 -		98370	83161	39119	43181
Cerato	1.5 CRDi	75	102	1493	4	07.05 -		58186	83161	39119	43181
Cerato	2.0 CRDi	83	112	1991	4	04.04 -		58186	83161	39119	43181
Joice	2.0	88	120	1997	4	09.01 -		58154		53440	
Joice	2.0	102	139	1997	4	02.00 -		58154		53440	
Magentis (GD)	2.0	100	136	1997	4	05.01 -		58185	83582	39088	43302
Magentis (GD)	2.5 V6	124	169	2493	6	05.01 -		58185	83582	39088	43302
Opirus / Amanti	3.5	149	203	3497	6	09.03 -		58197		39185	
Opirus / Amanti	3.8 V6	196	267	3778	6	10.06 -				39185	



		kW	PS	CC	Cyl							
Picanto	1.1	48	65	1086	4 G4HG	04.04 -	58173		39089	43102	93090	
Pregio (TB)	2.7 D	60	82	2665	4	10.97 -			83588			
Pride (DA)	1.1 i	38	52	1138	4 B1	01.91 -				53676		
Pride (DA)	1.3 16V	44	60	1324	4 B3	01.90 -				53676		
Pride (DA)	1.3 16V	47	64	1324	4 B3	10.96 -	98843			53676		
Pride (DA)	1.3 i	51	69	1324	4	01.90 -				53676		
Pride (DA)	1.3 16V	53	72	1324	4	01.90 -				53676		
Pride II	1.3	47	64	1324	4	08.99 -				53676		
Retona (CE)	2.0 16V	94	128	1998	4	05.00 -	98372		83584	39113		
Retona (CE)	2.0 TD	61	83	1998	4	06.99 -	68369	67369	83584	39113		
Rio (DC)	1.3	55	75	1343	4	08.00 -	98970			39123	53472	93089
Rio (DC)	1.3	60	82	1343	4	08.00 -	98970			39123	53472	93089
Rio (DC)	1.5	71	97	1493	4	09.02 -	98970		83589	39123	43182	93089
Rio (DC)	1.5	72	98	1493	4	08.00 -	98848		83589	39123	53472	93089
Rio II	1.4 16V	71	97	1399	4	03.05 -	98371				43280	
Rio II	1.6 16V	82	112	1599	4	03.05 -	98371				43280	
Rio II	1.5 CRDi	81	110	1493	4	03.05 -	98806				43279	
Rio II Saloon	1.4 16V	71	97	1399	4	03.05 -	98371				43280	
Rio II Saloon	1.6 16V	82	112	1599	4	03.05 -	98371				43280	
Rio II Saloon	1.5 CRDi	81	110	1493	4	03.05 -	98806				43279	
Roadster	1.8	100	136	1793	4	08.99 -						
Sephia (FA)	1.8 i 16V	82	112	1793	4	01.95 - 05.99	58115		33586		53678	
Sephia (FA)	1.8 i 16V	82	112	1793	4	05.99 -	58117		33586		53678	
Sephia (FA)	1.8 i 16V	82	112	1793	4	01.95 - 05.99	58115		33586		53677	
Sephia (FA)	1.8 i 16V	82	112	1793	4	05.99 -	58117		33586		53677	
Sephia (FA)	1.8 i 16V	82	112	1793	4	01.95 - 05.99	58115		33586		43016	
Sephia (FA)	1.8 i 16V	82	112	1793	4	05.99 -	58117		33586		43016	
Sephia (FA)	1.8 i 16V	82	112	1793	4	01.95 - 05.99	58115		33586		43017	
Sephia (FA)	1.8 i 16V	82	112	1793	4	05.99 -	58117		33586		43017	
Shuma (FB)	1.5 i 16V	65	88	1498	4	10.97 -			33586		43015	
Shuma (FB)	1.8 i 16V	81	110	1793	4	10.97 -			33586		43015	
Shuma II (FB)	1.6	75	101	1594	4	05.01 - 08.04	58186		83162	39118		
Shuma II (FB)	1.8	84	114	1793	4	04.03 - 08.04	58186		83162	39118		



		kW	PS	CC	Cyl							
Sorento (JC)	2.4	102	139	2351	4	08.02 -	58174	57174		43123	93084	
Sorento (JC)	3.5 V6	143	194	3497	6	08.02 -	98969		34994	43123	93084	
Sorento (JC)	2.5 CRDi	103	140	2497	4	08.02 - 12.03	98849		34994	43123	93084	
Sorento (JC)	2.5 CRDi	103	140	2497	4	12.03 -	98849		34994	43123	93084	
Sportage (K00)	2.0 i 4WD	70	95	1998	4 FE	04.94 - 08.99	68369	67369	83583	39122		54193 93006
Sportage (K00)	2.0	87	118	1998	4	10.00 -	98372		83584	39113		
Sportage (K00)	2.0 4WD	87	118	1998	4	10.00 -	98372		83584	39113		
Sportage (K00)	2.0 i 16V	94	128	1998	4 FE (16 V)	10.00 -	98372		83584	39113		
Sportage (K00)	2.0 i 16V 4WD	94	128	1998	4 FE (16 V)	04.94 -	68369	67369	83583	39122		54193 93006
Sportage (K00)	2.0 TD 4WD	61	83	1998	4 RF	10.97 - 09.99	68369	67369	83583	39113	53450	93006
Sportage (K00)	2.0 TD 4WD	61	83	1998	4 RF	09.99 -	68369	67369	83584	39113	43018	93006
Sportage II	2.0 16V	104	141	1975	4 G4GC	09.04 -	98373			39190		
Sportage II	2.0 16V 4WD	104	141	1975	4 G4GC	09.04 -	98373			39190		
Sportage II	2.7 V6 4WD	129	175	2656	6 G6BA	09.04 -	98374			39190		
Sportage II	2.0 CRDi	83	113	1991	4 D4EA	02.05 -	98847			39190		
Sportage II	2.0 CRDi 4WD	83	113	1991	4 D4EA	09.04 -	98847			39190		
Sportage II	2.0 CRDi	103	140	1991	4	01.06 -				39190		
Sportage II	2.0 CRDi 4WD	103	140	1991	4	01.06 -				39190		


O.E. → 4 SEASONS

33586	269	58173	262	98969	265				
34976	269	58174	262	98970	265				
34979	269	58180	262						
34994	269	58185	262						
39088	270	58186	262						
39089	270	58197	263						
39113	270	67369	263						
39118	270	68194	263						
39119	270	68348	263						
39122	270	68369	263						
39123	270	78390	263						
39182	271	83161	269						
39185	271	83162	269						
39190	271	83582	269						
43013	265	83583	269						
43014	265	83584	269						
43015	265	83585	269						
43016	265	83586	270						
43017	265	83587	270						
43018	265	83588	270						
43102	266	83589	270						
43123	266	93006	268						
43181	266	93084	268						
43182	266	93089	268						
43277	266	93090	268						
43278	266	93851	268						
43279	266	93852	268						
43280	266	93904	268						
43301	266	93912	269						
43302	267	97974	263						
43320	267	98370	263						
43321	267	98371	263						
53440	267	98372	263						
53441	267	98373	263						
53450	267	98374	264						
53472	267	98806	264						
53676	267	98808	264						
53677	267	98809	264						
53678	268	98810	264						
54193	268	98811	264						
57174	262	98843	264						
58115	262	98845	264						
58117	262	98847	264						
58119	262	98848	265						
58154	262	98849	265						



4 SEASONS

NEW: 58115
RMFG: [REDACTED]




Ø 128 mm
Poly-V4
200 cc
HCC FS10

1K2A6-61-450

4 SEASONS

NEW: 58117
RMFG: [REDACTED]




Ø 127 mm
Poly-V4
200 cc
HCC FS10

1K2A6-61-450A

4 SEASONS

NEW: 58119
RMFG: [REDACTED]




Ø 113 mm
Poly-V6
200 cc
HCC FS10

1K52Y-61-450

4 SEASONS

NEW: 58154
RMFG: [REDACTED]




47877

Ø 140 mm
Poly-V4
200 cc
Ford FS10

97701-M2000

4 SEASONS

NEW: 58173
RMFG: [REDACTED]



Ø 117 mm
Poly-V4
225 cc
Halla HS-11

97701-07100

4 SEASONS

NEW: 58174
RMFG: 57174

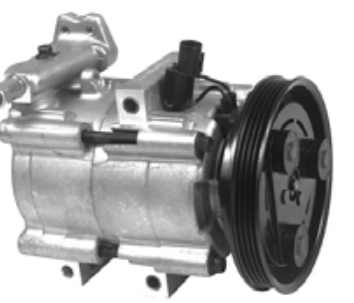


Ø 128 mm
Poly-V5
190 cc
Nippondenso 10PA17C

97701-3E300

4 SEASONS

NEW: 58180
RMFG: [REDACTED]



Ø 140 mm
Poly-V4
200 cc
Ford FS10

0K9A1-61-450

4 SEASONS

NEW: 58185
RMFG: [REDACTED]




Ø 128 mm
Poly-V6
225 cc
HCC HS-18

9770138170 / 97701-38171

4 SEASONS

NEW: 58186
RMFG: [REDACTED]




Ø 114 mm
Poly-V4
150 cc
HCC HS-15

1K2NA-61-450C

Non contractual pictures / photos non contractuelles / nicht vertragliche Fotos / fotografie non contrattuali / fotos no contractuales

4 SEASONS

NEW: 58197
RMFG:



Ø 128 mm
Poly-V6
200 cc
Ford FS10

97701-39881

4 SEASONS

NEW: 68194
RMFG:




Ø 125 mm
Poly-V6
190 cc
Nippondenso 10PA17C

OK57C-61-450

4 SEASONS


NEW: 68348
RMFG:

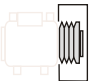


Ø 140 mm
Poly-V5
190 cc
Nippondenso 10PA15C

4 SEASONS

NEW: 68369
RMFG: 67369



 47567

Ø 132 mm
1 G - A
190 cc
Nippondenso 10PA15C

OK01B-61-450

4 SEASONS

NEW: 78390
RMFG: 97974




Ø 125 mm
Poly-V4
190 cc
Nippondenso 10PA17C

1305004206 / 3F2710279 / OK56E-61-450

4 SEASONS

NEW: 98370
RMFG:




Ø 115 mm
Poly-V4
190 cc
Nippondenso 10PA15C

97701-2F100

4 SEASONS

NEW: 98371
RMFG:




Ø 115 mm
Poly-V4
180 cc
Denso 6SBU16C

97701-G000

4 SEASONS

NEW: 98372
RMFG:




Ø 135 mm
1 G - A
190 cc
Doowon 10PA15C

OK01B-61-450C

4 SEASONS

NEW: 98373
RMFG:



Ø 125 mm
Poly-V4
190 cc
Doowon 10PA15C

97701-2D700

Non contractual pictures / photos non contractuelles / nicht vertragliche Fotos / fotografie non contrattuali / fotos no contractuales



4 SEASONS

NEW: **98374**
RMFG:



∅ 120 mm
Poly-V6
190 cc
Doowon 10PA17C

97701-2E300

4 SEASONS

NEW: **98806**
RMFG:



∅ 125 mm
Poly-V5
160 cc
Doowon 6SEU16C

97701-1G300

4 SEASONS

NEW: **98808**
RMFG:



∅ 125 mm
Poly-V4
150 cc
Halla VS-16

97701-2H100

4 SEASONS

NEW: **98809**
RMFG:



∅ 120 mm
Poly-V6
150 cc
Halla VS-16

97701-2L300 / 97701-1H300

4 SEASONS

NEW: **98810**
RMFG:



∅ 128 mm
Poly-V6
150 cc
Halla VS-16

97701-2H000

4 SEASONS

NEW: **98811**
RMFG:



∅ 128 mm
Poly-V4
150 cc
Halla VS-16

97701-2H200

4 SEASONS

NEW: **98843**
RMFG:



∅ mm
1 G - A
235 cc
Harrison V5

KK150-61-450A

4 SEASONS

NEW: **98845**
RMFG:



∅ mm
Poly-V
190 cc
Doowon 10PA17C

OK2FA-61-450

4 SEASONS

NEW: **98847**
RMFG:




∅ 120 mm
Poly-V6
200 cc
Doowon 10PA15C

97701-2D600 / 0K2KB-61-450

Non contractual pictures / photos non contractuelles / nicht vertragliche Fotos / fotografie non contrattuali / fotos no contractuales

4 SEASONS

NEW: 98848
RMFG:



\varnothing 125 mm
 Poly-V4
 180 cc
 Doowon 10PA17C

97701-FD100 / 0K30C-61-450 / 0K30C-61-450A

4 SEASONS

NEW: 98849
RMFG:




\varnothing 115 mm
 Poly-V7
 180 cc
 Doowon 10PA17C

97701-3E000

4 SEASONS

NEW: 98970
RMFG:

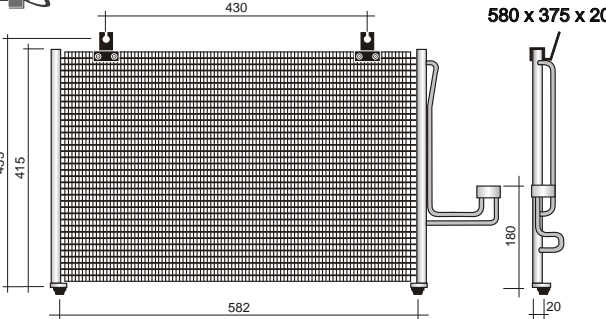


\varnothing mm
 Poly-V
 cc
 HCC HS-15

0K30A-61-450D

4 SEASONS

43013

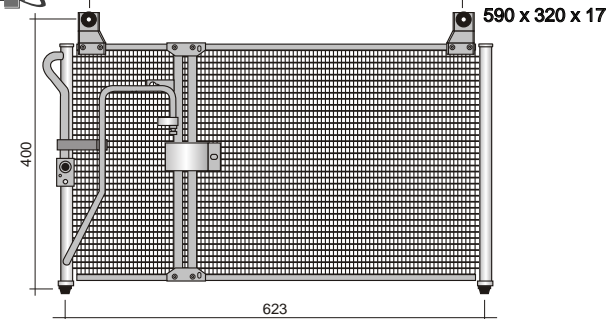


580 x 375 x 20

0K2C0-61-480

4 SEASONS

43014

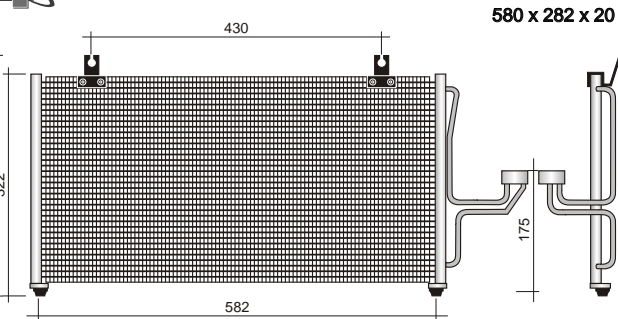


590 x 320 x 17

0K9A3-61-480E / 0K9B2-61-480

4 SEASONS

43015

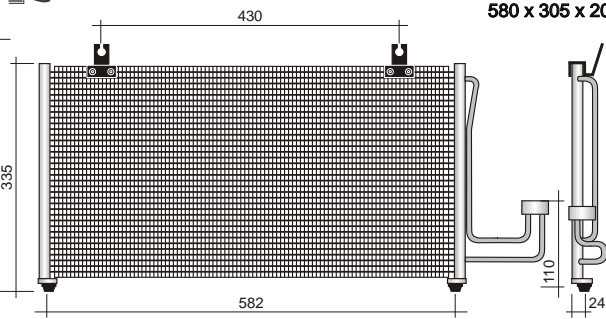


580 x 282 x 20

0K2B1-61-480A / 0K2B1-61-480B

4 SEASONS

43016

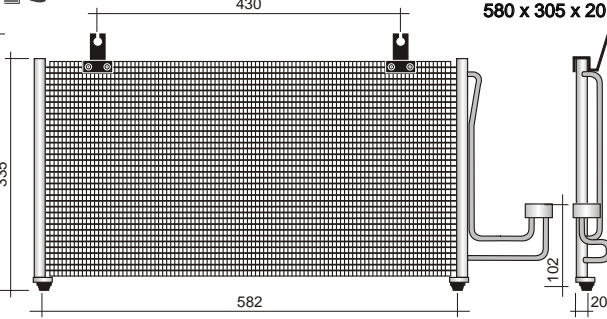


580 x 305 x 20

0K2A1-61-480B

4 SEASONS

43017

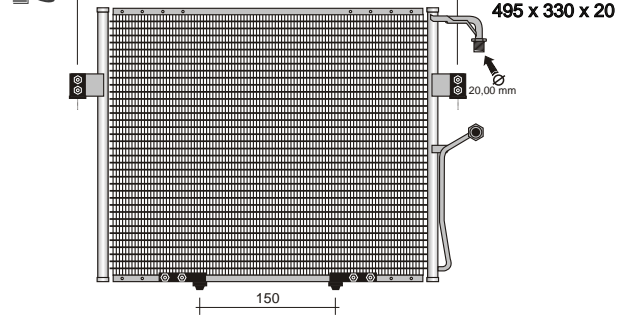


580 x 305 x 20

0K2A1-61-480L

4 SEASONS

43018



495 x 330 x 20

0K011-61-480A

Non contractual pictures / photos non contractuelles / nicht vertragliche Fotos / fotografie non contrattuali / fotos no contractuales



4 SEASONS

43102
385 x 340 x 18

97606-3E000

4 SEASONS

43123
580 x 422 x 16

97606-2F000

4 SEASONS

43181

97606-2F000

4 SEASONS

43182
530 x 355 x 16

97606-ED000

4 SEASONS

43277

97606-1D100

4 SEASONS

43278

97606-1D200

4 SEASONS

43279

51036016

4 SEASONS

43280
605 x 360 x 16

97606-1G000 / 97606-1G300 / 62036016 /

4 SEASONS

43301

OK2FA-61-480

Non contractual pictures / photos non contractuelles / nicht vertragliche Fotos / fotografie non contrattuali / fotos no contractuales

4 SEASONS **43302**



97606-3K160 / 97606-3L180

4 SEASONS **43320**



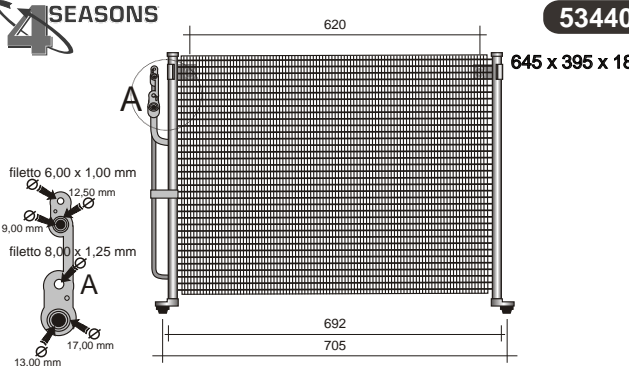
97606-1H000

4 SEASONS **43321**



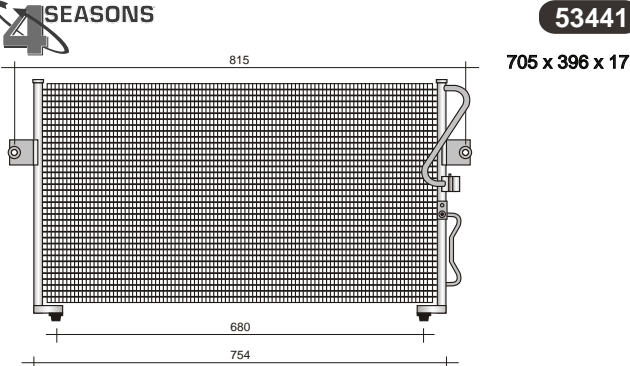
97606-1H600

4 SEASONS **53440**



620
645 x 395 x 18
692
705
filetto 6,00 x 1,00 mm
12,50 mm
9,00 mm
filetto 8,00 x 1,25 mm
17,00 mm
13,00 mm

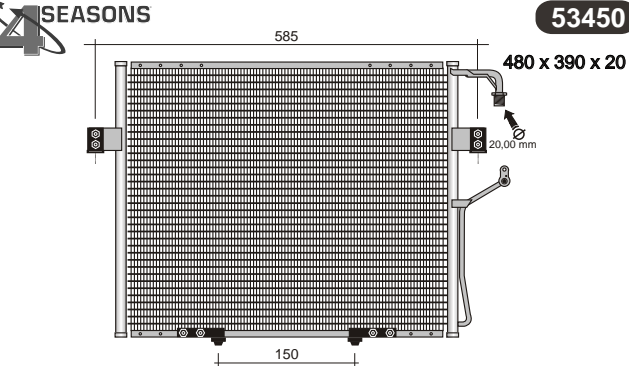
4 SEASONS **53441**



815
705 x 396 x 17
680
754

OK53A-61-481B / OK552-61-460D

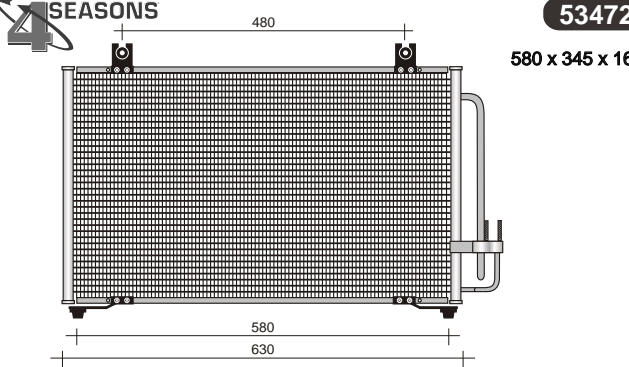
4 SEASONS **53450**



585
480 x 390 x 20
20,00 mm
150

OK011-61-480K

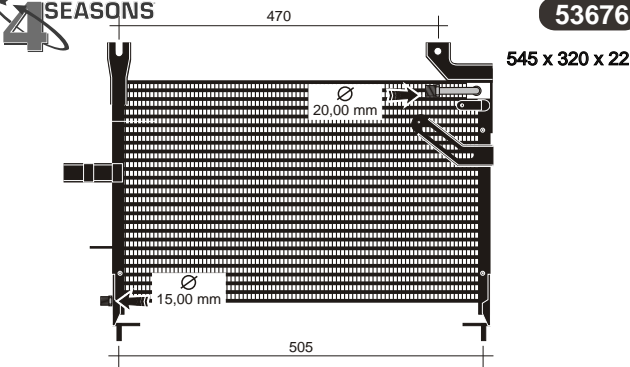
4 SEASONS **53472**



480
580 x 345 x 16
580
630

OK30A-61-480C / OK30A-61-480D / OK30A-61-480E

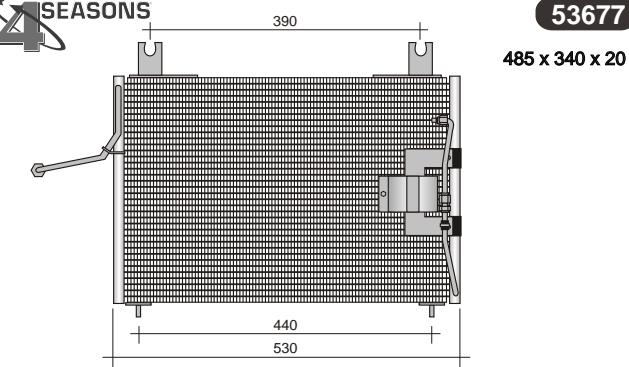
4 SEASONS **53676**



470
545 x 320 x 22
20,00 mm
15,00 mm
505

KK174-61-480

4 SEASONS **53677**



390
485 x 340 x 20
440
530

K907860625B

Non contractual pictures / photos non contractuelles / nicht vertragliche Fotos / fotografie non contrattuali / fotos no contractuales



4 SEASONS

485

535

53678

575 x 330 x 18

OK241-61-48AA

4 SEASONS

54193

229 x 235 x 76

OK011-61-480A

4 SEASONS

93006

159 x 165 x 48

OK011-61-A10 / OK011-61-A10A

4 SEASONS

93084

97227-3E000

4 SEASONS

93089

165 x 170 x 22

OK30C-61-A10

4 SEASONS

93090

155 x 175 x 21

97138-07000

4 SEASONS

210

315

45

80

45

93851

185 x 163 x 29

Front unit

OK55561H01

4 SEASONS

210

170

45

80

45

93852

170 x 163 x 29

Rear unit

OK55261R01


4 SEASONS

93904

97138-2F000 / H301130320

Non contractual pictures / photos non contractuelles / nicht vertragliche Fotos / fotografie non contrattuali / fotos no contractuales

4 SEASONS **93912**



97227-38000

4 SEASONS

4 SEASONS

4 SEASONS **33586**



OK2A1-61-500A / OK2C0-61-500

4 SEASONS **34976**



OK56E-61-500A

4 SEASONS **34979**



OK9A3-61-500C

4 SEASONS **34994**



97801-3E000

4 SEASONS **83161**



1K2N1-61-500

4 SEASONS **83162**



1K2A-61-500

4 SEASONS **83582**



97801-38001 / 97801-38003

4 SEASONS **83583**



OK011B-61-500A / OK011B-61-500B / OK01A-61-500A / OK01A-61-500B

4 SEASONS **83584**



OK04E-61-500A

4 SEASONS **83585**



OK552-61-500A

Non contractual pictures / photos non contractuelles / nicht vertragliche Fotos / fotografie non contrattuali / fotos no contractuales



4 SEASONS **83586**

4 SEASONS **83587**

4 SEASONS **83588**

4 SEASONS **83589**

OK30C-61-500D

4 SEASONS **39033**

97262-2D100 / 97262-2D000 / 97262-2D100
/ 97262-2D400 / 97262-2D500

4 SEASONS **39086**

97604-1C050 / 97604-1C100 / 97604-25100

4 SEASONS **39087**

97604-26000 / 97604-26001

4 SEASONS **39088**

97626-38000 / 97626-38006

4 SEASONS **39089**

97604-17000 / 97604-17001

4 SEASONS **39113**

OK08A-61-E13

4 SEASONS **39118**

1K2N-61-570

4 SEASONS **39119**

97626-2F000

4 SEASONS **39122**

OK01A-61-J12 / OK01A-61-J13 / OK20B-61-J12

4 SEASONS **39123**

97626-FD200 / OK30A-61-570 / OK30C-61-570

4 SEASONS **39125**

97626-22000

Non contractual pictures / photos non contractuelles / nicht vertragliche Fotos / fotografie non contrattuali / fotos no contractuales

