



		kW	PS	CC	Cyl										
Carisma (DA)	1.8	85	116	1834	4 4 G 93	07.95 -		78484		33594		53703		20975	
Carisma (DA)	1.8 GDI	90	122	1834	4	10.00 -		78491	77491						
Carisma (DA)	1.8 16V GDI	92	125	1834	4 4 G 93 (GDI)	09.97 -		78484		33594					
Carisma (DA)	1.8 16V	103	140	1834	4 4 G 93	07.95 -		78484		33594					
Carisma (DA)	1.9 TD	66	90	1870	4 F8QT	10.96 - 09.00		58742	57742						
Carisma (DA)	1.9 DI-D	75	102	1870	4	09.00 -		58748	57748						
Carisma (DA)	1.9 DI-D	85	115	1870	4	09.00 -		58748	57748						
Colt V (CJ_A)	1300 GL, GLX (CJ1A)	55	75	1299	4	05.96 - 09.00				33594		53185			
Colt V (CJ_A)	1300	60	82	1299	4	09.00 -		78491	77491						
Colt V (CJ_A)	1500 (CJ2A)	69	94	1468	4 4 G 15 (16V)	11.95 -						53185			
Colt V (CJ_A)	1600 GLX (CJ4A)	66	90	1597	4	05.96 - 09.00		78484		33594		53185		20975	
Colt V (CJ_A)	1600	76	103	1597	4	09.00 -		78491	77491						
Colt VI	1.1	55	75	1124	3 3A91	10.04 -							43174		
Colt VI	1.3	70	95	1332	4 4A90	06.04 -							43174		
Colt VI	1.5	80	109	1499	4 4A91	06.04 -							43174		
Colt VI	1.5 CZT	110	150	1468	4 4G15T	03.05 -							43174		
Colt VI	1.5 DI-D	50	68	1493	3	08.04 -							43174		
Colt VI	1.5 DI-D	70	95	1493	3 OM639	08.04 -							43174		
Colt VI CZC cabriolet	1.5	80	109	1499	4	05.06 -							43174		
Colt VI CZC cabriolet	1.5 Turbo	110	150	1468	4	05.06 -							43174		
Eclipse I (D2_A)	2.0 i 16V (D22A)	110	150	1997	4 4 G 63	04.91 - 93			77333	33583		54351	54698	94780	20965
Eclipse I (D2_A)	2.0 i 16V (D22A)	110	150	1997	4 4 G 63	94 - 11.95			77333	33589		53186	54289	94780	
Eclipse I (D2_A)	2.0 i 16V 4x4	110	150	1997	4 4 G 63	04.91 - 93			77333	33583		54351	54698	94780	20965
Eclipse I (D2_A)	2.0 i 16V 4x4	110	150	1997	4 4 G 63	94 - 11.95			77333	33589		53186	54289	94780	
Eclipse II (D3_)	2000 GS 16V	107	146	1997	4	12.95 -			77307	33589	39032	53290	54289	94807	
Eclipse II (D3_)	2000 GT 16V	157	214	1997	4	12.95 -			77307	33594	38616	53290	54288	94807	
Eclipse II (D3_)	2400 GS 16V	105	143	2389	4	09.98 -		68489	67489	33594	39032	53290	54288	93043	
Galant IV (E3_A)						11.88 - 90			57483	33575		53187	54701	94780	20965
Galant IV (E3_A)						11.88 - 90			57485	33575		53187	54701	94780	20965
Galant IV (E3_A)						91 - 10.92			57484	33575		53187	54701	94780	20965
Galant V	1.8 (E52A)	85	116	1834	4 4 G 93	02.94 - 08.96		68489	67489	33594		53182	54643	94817	20991
Galant V	1.8 (E52A)	85	116	1834	4 4 G 93	02.94 - 08.96			67490	33594		53182	54643	94817	20991
Galant V	1.8 GLSI (E52A)	93	126	1834	4 4 G 93 (GDI)	11.92 - 08.96		68489	67489	33594		53182	54643	94817	20991
Galant V	1.8 GLSI (E52A)	93	126	1834	4 4 G 93 (GDI)	11.92 - 08.96			67490	33594		53182	54643	94817	20991
Galant V	2.0 GLSI (E55A)	101	137	1997	4 4 G 63	11.92 - 08.96		68489	67489	33594		53182	54643	94817	20991
Galant V	2.0 GLSI (E55A)	101	137	1997	4 4 G 63	11.92 - 08.96			67490	33594		53182	54643	94817	20991
Galant V	2.0 GLSI 4x4 (E75A)	101	137	1997	4 4 G 63	11.92 - 08.96		68489	67489	33594		53182	54643	94817	20991
Galant V	2.0 GLSI 4x4 (E75A)	101	137	1997	4 4 G 63	11.92 - 08.96			67490	33594		53182	54643	94817	20991



kW PS CC Cyl

Galant V	2.0 V6-24 (E54A)	110	150	1999	6	6A12	11.92 - 08.96	68489	67489	33594	53182	54643	94817	20991
Galant V	2.0 V6-24 (E54A)	110	150	1999	6	6A12	11.92 - 08.96		67490	33594	53182	54643	94817	20991
Galant V	2.5 V6-24 4x4 (E88A)	125	170	2497	6	6 G 73	11.92 - 08.96	68489	67489	33594	53182	54643	94817	20991
Galant V	2.5 V6-24 4x4 (E88A)	125	170	2497	6	6 G 73	11.92 - 08.96		67490	33594	53182	54643	94817	20991
Galant V	2.0 GLSTD (E57A)	66	90	1998	4	4 D 68	11.92 - 08.96	68489	67489	33594	53182	54643	94817	20991
Galant V	2.0 GLSTD (E57A)	66	90	1998	4	4 D 68	11.92 - 08.96		67490	33594	53182	54643	94817	20991
Galant VI (EA_)	2.0	98	133	1997	4		09.00 -				39065			
Galant VI (EA_)	2.0 (EA2A)	100	136	1997	4		09.96 - 09.00	78483		33594	39065	54643	94817	20975
Galant VI (EA_)	2.4 GDI	106	144	2351	4		09.00 -	78483		83120	39065			
Galant VI (EA_)	2.4 GDI	110	150	2351	4		02.99 - 09.00	78483			39065		94817	
Galant VI (EA_)	2.5 V6 24V	118	160	2498	6		09.00 -	78483			39065			
Galant VI (EA_)	2.5 V6 24V (EA5A)	120	163	2498	6	6A13	09.96 - 09.00	78485	77485	33594	39065	54643	94817	20975
Galant VI (EA_)	2.0 TDI (EA6A)	66	90	1998	4	4 D 68 SOHC	09.96 -				39065		94817	
Grandis	2.4	121	165	2378	4		04.04 -				83124			
Grandis	2.0 DI-D	100	136	1968	4	BSY	09.05 -				83124			
Lancer V (CB/D_A)	1.3 (CB1A)	55	75	1299	4	4 G 13 (BJ92-..., 12V)	06.92 -			33594		53184		
Lancer V (CB/D_A)	1.6	66	90	1597	4		02.94 -			33594		53705		
Lancer V (CB/D_A)	1.6 16V (CB4A)	83	113	1597	4	4 G 92	06.92 -			33594		53705		
Lancer V (CB/D_A)	1.6 16V 4WD (CD4A)	83	113	1597	4	4 G 92	06.92 -			33594		53705		
Lancer V (CB/D_A)	2.0 Diesel (CB8A)	50	68	1998	4	4 D 68	06.92 -			33594		53705		
Lancer V (CB_W)	1.6 GLXi 16V (CB4W)	83	113	1597	4	4 G 92	12.92 -			33594		53705		
Lancer V (CB_W)	1.6 GLXi 16V 4WD	83	113	1597	4	4 G 92	12.92 -			33594		53705		
Lancer V (CB_W)	2.0 GLX D (CB8W)	50	68	1998	4	4 D 68	12.92 -			33594		53705		
Lancer VI (CK, P_A)	1.3 12V GL, GLX	55	75	1299	4		12.95 - 01.97			33594		53185		
Lancer VI (CK, P_A)	1.3 12V GL, GLX	55	75	1299	4		01.97 -	98900	77483	33594		43042		
Lancer VI (CK, P_A)	1.5 16V (CK2A)	69	94	1468	4	4 G 15 (16V)	12.95 -	78484		33594		53185		
Lancer VI (CK, P_A)	1.6 16V (CK4A)	66	90	1597	4		12.95 -	78484		33594		53185		
Lancer VI (CK, P_A)	2.0 16V EVO VIII	195	265	1997	4		03.04 -			83126				
Lancer VI (CK, P_A)	2.0 16V (CP9A)	206	280	1997	4	4 G 63 Turbo	01.99 -			83126				
Lancer	1.3	60	82	1299	4		09.03 -			83080		43190	54915	
Lancer	1.6	72	98	1584	4		09.03 -			83080		43190	54915	
Lancer	2.0	99	135	1997	4		09.03 -	98900	77483	83080		43190	54915	
L200 (K_T)	2.0 (K62T)	90	122	1997	4		06.96 -					53707		
L200 (K_T)	2.4 4x4 (K75T)	97	132	2351	4		06.96 -					53707		
L200 (K_T)	2.5 D (K64T)	55	75	2477	4		06.96 -					53707		
L200 (K_T)	2.5 TD 4x4 (K74T)	73	99	2477	4		06.96 -					53707		
L200 (K_T)	2.5 TD 4x4	74	100	2477	4		11.01 -	98895						
L200 (K_T)	2.5 TD 4WD (K74T)	85	115	2477	4		09.01 -	98895						
L200 (K_T)	2.5 TD 4WD	98	133	2477	4		08.03 -	98895						



		kW	PS	CC	Cyl									
L300 (P1_T)	2.0 (P13T)	85	116	1997	4 4 G 63	07.94 -							53892	
L300 (P1_T)	2.0 (P13T)	85	116	1997	4 4 G 63	07.94 -							53708	
L300 (P1_T)	2.5 D (P15T)	64	87	2477	4	11.94 -							53892	
L300 (P1_T)	2.5 D (P15T)	64	87	2477	4	11.94 -							53708	
Outlander I	2.0 4WD	93	126	1997	4	05.03 -		98900	77483					
Outlander I	2.0 4WD	100	136	1997	4	05.03 -		98900	77483					
Outlander I	2.0 Turbo 4WD	148	201	1997	4	04.04 -		98900	77483					
Outlander I	2.0 4WD	177	241	1997	4	05.03 -		98900	77483					
Outlander II	2.4 Mivec	125	170	2378	4	09.07 -		78485	77485				43332	
Outlander II	2.0 DI-D	103	140	1968	4	02.07 -							43332	
Pajero II (V2_W, V4_W) 2.4		82	112	2351	4 4 G 64	04.91 - 93				33583		53188	54624	20965
Pajero II (V2_W, V4_W) 2.4		82	112	2351	4 4 G 64	93 - 96				33589			54263	
Pajero II (V2_W, V4_W) 2.4		82	112	2351	4 4 G 64	93 - 96				33589				
Pajero II (V2_W, V4_W) 2.4		82	112	2351	4 4 G 64	96 - 04.00		68374		33589				
Pajero II (V2_W, V4_W) 3.0 V6 (V23W)		110	150	2972	6 6 G 72	12.90 - 91				33583		53188	54669	20965
Pajero II (V2_W, V4_W) 3.0 V6 (V23W)		110	150	2972	6 6 G 72	92 - 93				33583		53188	54624	20965
Pajero II (V2_W, V4_W) 3.0 V6 (V23W)		110	150	2972	6 6 G 72	93 - 12.95		78366	97978	33589				
Pajero II (V2_W, V4_W) 3.0 V6 24V		133	181	2972	6 6 G 72	06.94 - 05.97		78366	97978	33589	38884			
Pajero II (V2_W, V4_W) 3.0 V6 24V		133	181	2972	6 6 G 72	06.94 - 05.97		78366	97978	33589	38884		54263	
Pajero II (V2_W, V4_W) 3.0 V6 24V		133	181	2972	6 6 G 72	06.94 - 05.97		78366	97978	33589	38884			
Pajero II (V2_W, V4_W) 3.0 V6 24V		130	177	2972	6 6 G 72	06.97 - 04.00		78366	97978	33589	38884			20975
Pajero II (V2_W, V4_W) 3.5 V6 24V		143	194	3497	6	07.97 - 04.00		78366	97978	33589	38884		54754	20975
Pajero II (V2_W, V4_W) 3.5 V6 24V (V25W)		153	208	3497	6	06.94 - 96		78366	97978	33589	38884		54263	
Pajero II (V2_W, V4_W) 3.5 V6 24V (V25W)		153	208	3497	6	06.94 - 96		78366	97978	33589	38884			
Pajero II (V2_W, V4_W) 3.5 V6 24V (V25W)		153	208	3497	6	97 - 04.00		78366	97978	33589	38884		54754	20975
Pajero II (V2_W, V4_W) 2.5 TD (V24C, V24W)		73	99	2477	4 4 D 56 TD	12.90 - 91				33583		53188	54669	20965
Pajero II (V2_W, V4_W) 2.5 TD (V24C, V24W)		73	99	2477	4 4 D 56 TD	92 - 93				33583		53188	54624	20965
Pajero II (V2_W, V4_W) 2.5 TD (V24C, V24W)		73	99	2477	4 4 D 56 TD	93 - 96		98923		33589	38884		54263	
Pajero II (V2_W, V4_W) 2.5 TD (V24C, V24W)		73	99	2477	4 4 D 56 TD	93 - 96		98923		33589	38884			
Pajero II (V2_W, V4_W) 2.5 TD (V24C, V24W)		73	99	2477	4 4 D 56 TD	97 - 04.00				33589	38884		54754	20975
Pajero II (V2_W, V4_W) 2.8 TD (V46W)		92	125	2835	4 4 M 40	06.94 - 96		98923		33589	38884	43045	54263	
Pajero II (V2_W, V4_W) 2.8 TD (V46W)		92	125	2835	4 4 M 40	06.94 - 96		98923		33589	38884	43045		
Pajero II (V2_W, V4_W) 2.8 TD (V46W)		92	125	2835	4 4 M 40	97 - 04.00				33589	38884	43045	54754	
Pajero Pinin (H6-H7)	1.8	84	114	1834	4	11.01 -							43304	
Pajero Pinin (H6-H7)	1.8 GDI (H66W)	88	120	1834	4	10.99 -							43304	
Pajero Pinin (H6-H7)	2.0 GDI (H77W)	95	129	1999	4 4G94	10.00 -							43304	
Pajero Sport (K90)	3.0 V6	125	170	2972	6	06.00 -		78487	77487	83124	39059	43248		93078
Pajero Sport (K90)	3.0 V6	130	177	2972	6	11.98 -		68374		83124	39059	43248		93078
Pajero Sport (K90)	2.5 TD	73	99	2477	4	11.98 -					39059	43248		93078
Pajero Sport (K90)	2.5 TD	85	115	2477	4	07.02 -					39059	43248		93078



		kW PS CC Cyl									
Pajero Sport (K90)	2.5 TD	98	133	2477	4	08.03 -			39066	43248	93078
Pajero III (V60)	3.5 V6 GDI	149	203	3497	6	04.00 -	98338		39070		54754
Pajero III (V60)	3.2 DI-D	118	160	3200	4	10.01 -	98949	97949	38888		
Pajero III (V60)	3.2 DI-D	121	165	3200	4	04.00 - 10.01	98949	97949	38888		
Sigma (F16A)	3.0 V6 (F16A)	130	177	2972	6 6 G 72	12.90 - 07.96	68374		33594		
Sigma (F16A)	3.0 V6 (F16A)	151	205	2972	6 6 G 72	12.90 - 07.96	68374		33594		
Space Star (DG0)	1.3 16V	60	82	1299	4	09.00 -	78491	77491		53703	
Space Star (DG0)	1.3 16V	61	83	1299	4	12.98 -	78491	77491			
Space Star (DG0)	1.3 16V	63	86	1299	4 4 G 13 (16 V)	06.98 -	78491	77491	33594		53703
Space Star (DG0)	1.6 16V	72	98	1584	4	09.01 -	78491	77491			
Space Star (DG0)	1.8 GDI	87	118	1834	4	06.98 -			33594		53703
Space Star (DG0)	1.8 GDI	90	122	1834	4 4 G 93 (GDI)	06.98 -			33594		53703
Space Star (DG0)	1.9 DI-D	75	102	1870	4	02.01 -	58748	57748			
Space Star (DG0)	1.9 DI-D	85	115	1870	4	10.02 -	58748	57748			
Space Wagon (N3-N4)	1.8 (N31W)	90	122	1834	4 4 G 93	94 - 10.98			33589		53182
Space Wagon (N3-N4)	1.8 4x4 (N41W)	90	122	1834	4 4 G 93	94 - 10.98			33589		53182
Space Wagon (N3-N4)	2.0 GLXi (N33W)	98	133	1997	4 4 G 63	94 - 10.98			33589		53182
Space Wagon (N3-N4)	2.0 GLXi 4x4 (N43W)	98	133	1997	4 4 G 63	94 - 10.98			33589		53182
Space Wagon (N3-N4)	2.4 i (N34W)	85	116	2351	4	94 - 05.96			33589		53182
Space Wagon (N3-N4)	2.4 i AWD (N34W)	85	116	2351	4	94 - 05.96			33589		53182
Space Wagon (N3-N4)	1.8 TD (N35W)	55	75	1796	4 4 D 65	94 - 10.98			33589		53182
Space Wagon (N3-N4)	2.0 TD GLX (N38W)	60	82	1998	4 4 D 68 T	94 - 10.98			33589		53182
Space Wagon (N5_W)	2.4 GDI	108	147	2351	4	09.00 -				43191	
Space Wagon (N5_W)	2.4 GDI 4x4	108	147	2351	4	09.00 -				43191	
Space Wagon (N5_W)	2.4 GDI	110	150	2351	4 4 G 64 (GDI)	10.98 -				43191	
Space Wagon (N5_W)	2.4 GDI 4x4	110	150	2351	4 4 G 64 (GDI)	10.98 -				43191	
3000 GT (Z16A)	3.0 i 24V 4x4	210	286	2972	6 6 G 72	06.92 - 93		67487	33594		54750 94462
3000 GT (Z16A)	3.0 i 24V 4x4	210	286	2972	6 6 G 72	94 - 96		67485	33594	39075	54750 94462
3000 GT (Z16A)	3.0 i 24V 4x4	210	286	2972	6 6 G 72	97 -		67488	33594	39075	54750 94462
Various	unknown					98 -			77482		
Various	unknown					98 -			77486		



4 SEASONS



NEW: 58742
RMFG: 57742

∅ 119 mm
Poly-V6
135 cc
Sanden 7H15

MR262971

4 SEASONS



NEW: 58748
RMFG: 57748

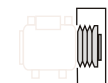
∅ 119 mm
Poly-V6
135 cc
Sanden 7H15

30613970

4 SEASONS



NEW: 68374
RMFG:

 **47594**
∅ 139 mm
1 G - A
190 cc

Nippondenso 10PA17C

447200371# / 447200412# / MR167789

4 SEASONS



NEW: 68489
RMFG: 67489

∅ 108 mm
Poly-V4
135 cc
Mitsubishi MSC105CVS

AKC011H401A / AKC200A401H / AKC201A401A / MR175843

4 SEASONS

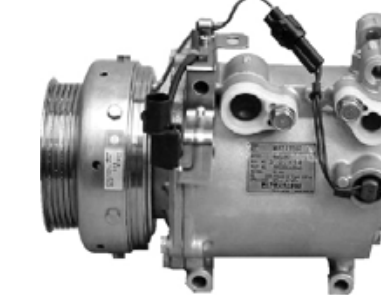


NEW: 78366
RMFG: 97978

∅ 133 mm
1 G - A
190 cc
Nippondenso 10PA15C

MR149363 / MR918531

4 SEASONS



NEW: 78483
RMFG:

∅ 95 mm
Poly-V5
135 cc
Mitsubishi MSC090C

AKC200A204G / AKC201A204A / MR315567

4 SEASONS



NEW: 78484
RMFG:

∅ 120 mm
Poly-V5
135 cc
Mitsubishi MSC90C

AKC200A203B / AKC200A203C / AKC200A203K / MR189104 / MR233478 / MR315268 / MR958178

4 SEASONS



NEW: 78485
RMFG: 77485

∅ 94 mm
Poly-V6
140 cc
Mitsubishi MSC090C

AKC200A204 / MR216055 / MR500243

4 SEASONS




NEW: 78487
RMFG: 77487

∅ 92 mm
1 G - A
135 cc
Mitsubishi MSC105C

AKC200A551J / MR315442 / MR360532

4 SEASONS

NEW: 78491
RMFG: 77491




Ø 95 mm
Poly-V5
120 cc
Mitsubishi MSC60CN

MR50007 / AKC200A072

4 SEASONS

NEW: 98338
RMFG: [REDACTED]




Ø 119 mm
Poly-V7
200 cc
Nippondenso 10S17C

MR500877

4 SEASONS

NEW: 98895
RMFG: [REDACTED]




Ø 125 mm
1 G - A
180 cc
Zexel DKS15CH

MR190619

4 SEASONS

NEW: 98900
RMFG: 77483




Ø 98 mm
Poly-V5
135 cc
Mitsubishi MSC90C

MR315460 / MR315784 / MR500182 / MR500199 / MR500201 / MR500272 / MR500322 / MR568402 / MR360564 / MR315815 / MR500253

4 SEASONS

NEW: 98923
RMFG: [REDACTED]



Ø mm
1 G - A
190 cc
Denso 10PA15VC

447200-0532

4 SEASONS

NEW: 98949
RMFG: 97949




Ø 130 mm
1 G - A
200 cc
Denso 10S17C

447220-3655 / MR568289

4 SEASONS


NEW: [REDACTED]
RMFG: 57483



Ø 95 mm
Poly-V5
135 cc
Mitsubishi MSC090C

4 SEASONS


NEW: [REDACTED]
RMFG: 57484



Ø 113 mm
Poly-V4
135 cc
Mitsubishi FX105V

4 SEASONS

NEW: [REDACTED]
RMFG: 57485



Ø 127 mm
Poly-V4
135 cc
Mitsubishi FX105V

MB630034



4 SEASONS

NEW:
RMFG: 67485



∅ 102 mm
Poly-V6
135 cc
Mitsubishi MSC105CVS

AKC011H401C / AKC201A402A

4 SEASONS

NEW:
RMFG: 67487



∅ 102 mm
Poly-V6
135 cc
Mitsubishi FX105VS

AKA011H210C

4 SEASONS

NEW:
RMFG: 67488



∅ 108 mm
Poly-V4
135 cc
Mitsubishi MSC105CVS

AKC201A402

4 SEASONS

NEW:
RMFG: 67490



∅ 119 mm
Poly-V4
135 cc
Mitsubishi AX105VSR

AKA201A220

4 SEASONS

NEW:
RMFG: 77307



∅ 156 mm
Poly-V5
190 cc
Nippondenso 10PA17C

MR201706

4 SEASONS

NEW:
RMFG: 77333



∅ 140 mm
Poly-V4
190 cc
Nippondenso 10PA17C

MB609192

4 SEASONS

NEW:
RMFG: 77482



∅ 102 mm
Poly-V6
140 cc
Mitsubishi MSC130CVSG

AKH200AL03

4 SEASONS

NEW:
RMFG: 77486



∅ 95 mm
Poly-V4
135 cc
Mitsubishi MSC090C

4 SEASONS

Non contractual pictures / photos non contractuelles / nicht vertragliche Fotos / fotografie non contrattuali / fotos no contractuales

4 SEASONS **43042**
605 x 322 x 19

MR360274

4 SEASONS **43045**
575 x 302 x 16

MR117391

4 SEASONS **43174**
515 x 375 x 16

MN151100 / MR568975

4 SEASONS **43190**
665 x 330 x 16

MN134204 / MN151100

4 SEASONS **43191**
710 x 425 x 16

MR283982

4 SEASONS **43248**
570 x 345 x 19

4 SEASONS **43304**

MR568628

4 SEASONS **43332**
657 x 419 x 16

6455FA

4 SEASONS **53182**
635 x 326 x 16

MB813733 / MR116930

Non contractual pictures / photos non contractuelles / nicht vertragliche Fotos / fotografie non contrattuali / fotos no contractuales

4 SEASONS **53184**
 330 x 305 x 25
 432
 285
 175
 381
 MR115813 / MR115853

4 SEASONS **53185**
 620 x 285 x 16
 693
 224
 576
 MR201372 / MR218428 / MR298107 / MR360275 / MR360474

4 SEASONS **53186**
 675 x 310 x 22
 600
 75
 660
 MR201681

4 SEASONS **53187**
 590 x 330 x 25
 698
 315
 615
 MB439051 / MB439052

4 SEASONS **53188**
 650 x 370 x 22
 705
 315
 620
 MR657376

4 SEASONS **53290**
 667 x 279 x 25
 MB898983 / MB899040

4 SEASONS **53703**
 610 x 350 x 20
 700
 580
 660
 12,59 mm
 6,88 mm
 16,98 mm
 5,81 mm
 8,81 mm
 9,82 mm
 CAB311B078 / MB958166 / MR460269

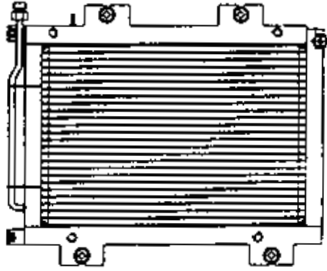
4 SEASONS **53705**
 610 x 320 x 20
 700
 640
 660
 12,59 mm
 6,88 mm
 16,98 mm
 5,81 mm
 8,81 mm
 9,82 mm
 Automatic Transmission
 MR115814

4 SEASONS **53707**
 550 x 330 x 19
 610
 600
 615
 R134a

Non contractual pictures / photos non contractuelles / nicht vertragliche Fotos / fotografie non contrattuali / fotos no contractuales

4 SEASONS

53708
400 x 270

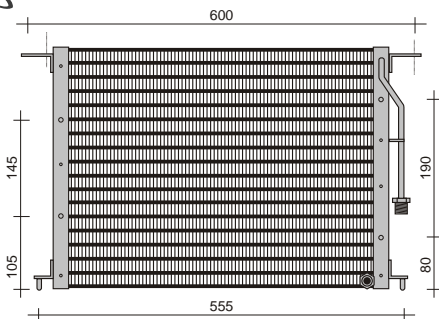


Auxiliary Condenser

MB438817

4 SEASONS

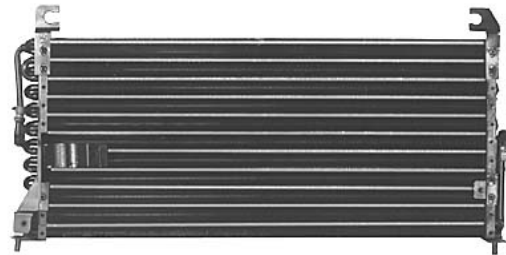
53892
495 x 355 x 25



Main Condenser

4 SEASONS

54351
620 x 310 x 25



MB849060

4 SEASONS

54263
215 x 234 x 80

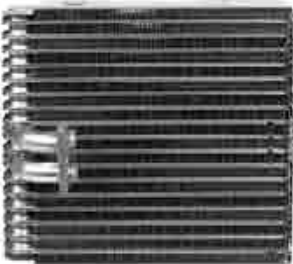


Plate and fin

4 SEASONS

54288
241 x 267 x 95



MR206121

4 SEASONS

54289
241 x 267 x 95



MR201713

4 SEASONS

54624
203 x 216 x 102



MR147013

4 SEASONS

54643
235 x 238 x 86



MR147013

4 SEASONS

54669
191 x 229 x 102

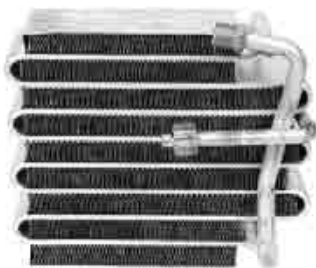


MB298878

Non contractual pictures / photos non contractuelles / nicht vertragliche Fotos / fotografie non contrattuali / fotos no contractuales



4 SEASONS



54698

203 x 216 x 127

MB439938

4 SEASONS



54701

240 x 260 x 100

MB439517

4 SEASONS



54750

264 x 276 x 102

MB630454

4 SEASONS



54754

221 x 229 x 102

MB878947 / MB899697

4 SEASONS



54915

MR958417

4 SEASONS



93043

133 x 270 x 23

MR500466

4 SEASONS



93078

108 x 121 x 25

MR36705

4 SEASONS



94462

159 x 200 x 32

MB657227

4 SEASONS



94780

159 x 197 x 32

MB439468

4SEASONS



94807
181 x 194 x 28

MR190764

4SEASONS



94817
184 x 191 x 32

MR146936

4SEASONS

4SEASONS



33575

MB813459

4SEASONS



33583

MB657527

4SEASONS



33589

MB117107 / MB918516

4SEASONS



33594

MB813589 / MB869218 / MB898319 /
MB898320 / MB947538 / MR175419 /

4SEASONS



83080

MR500065

4SEASONS



83120

MR270457

4SEASONS



83124

7812A125

4SEASONS



83126

MR500038

4SEASONS



38616

4SEASONS



38884

MR117256

Non contractual pictures / photos non contractuelles / nicht vertragliche Fotos / fotografie non contrattuali / fotos no contractuales



4 SEASONS

38888



447500-1800 / MR500662

4 SEASONS

39032



MR201955

4 SEASONS

39059



MR167189 / MR168189 / MR250687

4 SEASONS

39065



MR460369

4 SEASONS

39066



MR500662

4 SEASONS

39070



447500-1800 / MR500666

4 SEASONS

39075



MR168024

4 SEASONS

20965



MB276842

4 SEASONS

20975



MR360872

4 SEASONS

20991



MB813384

Non contractual pictures / photos non contractuelles / nicht vertragliche Fotos / fotografie non contrattuali / fotos no contractuales