

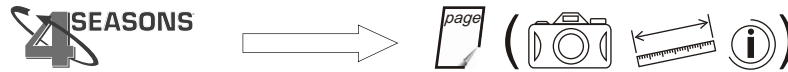


kW PS CC Cyl

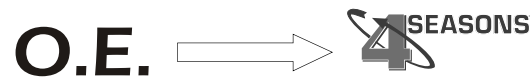
200 (RF)	211	44	60	1120	4	01.98 - 03.00	68516	67516	83512	38636	53788	93746	36611	
200 (RF)	214 i	55	75	1396	4	14 K2F	11.95 - 12.97	68516	67516	33963	38636	53788	93746	36611
200 (RF)	214 i	55	75	1396	4	14 K2F	01.98 - 03.00	68516	67516	83512	38636	53788	93746	36611
200 (RF)	214 Si	76	103	1396	4	14 K4F	11.95 - 12.97	68516	67516	33963	38636	53788	93746	36611
200 (RF)	214 Si	76	103	1396	4	14 K4F	01.98 - 03.00	68516	67516	83512	38636	53788	93746	36611
200 (RF)	216 Si	82	112	1588	4	16 K4F	11.95 - 12.97	68516	67516	33963	38636	53788	93746	36611
200 (RF)	216 Si	82	112	1588	4	16 K4F	01.98 - 03.00	68516	67516	83512	38636	53788	93746	36611
200 (RF)	218 K Vi	107	146	1796	4	18 K4K (VVC)	11.95 - 12.97	68516	67516	33963	38636	53788	93746	36611
200 (RF)	218 K Vi	107	146	1796	4	18 K4K (VVC)	01.98 - 03.00	68516	67516	83512	38636	53788	93746	36611
200 (RF)	220 D/SD	63	86	1994	4	20 T2R	11.95 - 12.97	68517	67517	33963	38674	53788	93746	36611
200 (RF)	220 D/SD	63	86	1994	4	20 T2R	01.98 - 03.00	68517	67517	83512	38674	53788	93746	36611
200 (RF)	220 SDi	77	105	1994	4	20 T2N	11.95 - 12.97	68517	67517	33963	38674	53788	93746	36611
200 (RF)	220 SDi	77	105	1994	4	20 T2N	01.98 - 03.00	68517	67517	83512	38674	53788	93746	36611
25 (RF)	1.4 16V	62	84	1396	4		10.99 -	58720			38636	53788		
25 (RF)	1.4 16V	76	103	1396	4		10.99 -	58720			38636	53788		
25 (RF)	1.6 16V	80	109	1588	4		10.99 -	58720			38636	53788		
25 (RF)	1.8 16V	85	116	1796	4		10.99 -	58720			38636	53788		
25 (RF)	1.8 16V	107	146	1796	4		02.00 -	58720			38636	53788		
25 (RF)	2.0 iDT	74	101	1994	4		10.99 - 12.00	58721		83512	38674	53788		
25 (RF)	2.0 iDT	74	101	1994	4		01.01 -	58721			38636	53788		
400 (RT)	414 Si	76	103	1396	4	14 K4F	05.95 - 12.97	68516	67516	33964	38636	53788	93746	36611
400 (RT)	414 Si	76	103	1396	4	14 K4F	01.98 - 03.00	68516	67516	83513	38636	53788	93746	36611
400 (RT)	416 Si	82	112	1588	4	16 K4F	05.95 - 12.97	68516	67516	33964	38636	53788	93746	36611
400 (RT)	416 Si	82	112	1588	4	16 K4F	01.98 - 03.00	68516	67516	83513	38636	53788	93746	36611
400 (RT)	416 Si	83	113	1590	4	D 16 Y2	05.95 - 12.97	68516	67516	33964	38636	53788	93746	36611
400 (RT)	416 Si	83	113	1590	4	D 16 Y2	01.98 - 03.00	68516	67516	83513	38636	53788	93746	36611
400 (RT)	420 Si Lux	100	136	1994	4	20 T4H	12.95 - 12.97	68517	67517	33964	38636	53788	93746	36611
400 (RT)	420 Si Lux	100	136	1994	4	20 T4H	01.98 - 03.00	68517	67517	83513	38636	53788	93746	36611
400 (RT)	420 D	63	86	1994	4	20 T2R	11.95 - 12.97	68517	67517	33964	38636	53788	93746	36611
400 (RT)	420 D	63	86	1994	4	20 T2R	01.98 - 03.00	68517	67517	83513	38636	53788	93746	36611
400 (RT)	420 Di	77	105	1994	4	20 T2N	05.95 - 12.97	68517	67517	33964	38636	53788	93746	36611
400 (RT)	420 Di	77	105	1994	4	20 T2N	01.98 - 03.00	68517	67517	83513	38636	53788	93746	36611
45 (RT)	1.4	76	103	1396	4		02.00 -	58720		83513	38636	53788		
45 (RT)	1.6	80	109	1588	4		02.00 -	58720		83513	38636	53788		
45 (RT)	1.8	86	117	1796	4		02.00 -	58720		83513	38636	53788		
45 (RT)	2.0 V6	110	150	1997	6		02.00 -	78376	97976	83513	38636	53788		
45 (RT)	2.0 iDT	74	101	1994	4		02.00 -	58721		83513	38636	53788		
75 (RJ)	1.8	88	120	1796	4	K 1.8	02.99 -	78377	97977	83019		53555		
75 (RJ)	1.8 Turbo	110	150	1796	4		05.03 -	78377	97977	83019				
75 (RJ)	2.0 V6	110	150	1997	6		02.99 -	78376	97976	83019		53555		
75 (RJ)	2.5 V6	129	175	2497	6	KV 6	02.99 - 10.01	78376	97976	83019		53555		



		kW	PS	CC	Cyl					
75 (RJ)	2.5 V6	130	177	2497	6	10.01 -	78376	97976	83019	53555
75 (RJ)	2.0 CDT	85	115	1950	4 M 47 R	02.99 -	68234	67234	83019	53555
75 (RJ)	2.0 CDTi	96	131	1951	4	02.03 -	68234	67234	83019	
75 Tourer (RJ)	1.8	88	120	1796	4 K 1.8	08.01 -	78377	97977	83019	53555
75 Tourer (RJ)	1.8 Turbo	110	150	1796	4	05.03 -	78377	97977	83019	
75 Tourer (RJ)	2.0 V6	110	150	1997	6 20 K4F	08.01 -	78376	97976	83019	53555
75 Tourer (RJ)	2.5 V6	130	177	2497	6 KV 6	08.01 -	78376	97976	83019	53555
75 Tourer (RJ)	2.0 CDT	85	115	1950	4 M 47 R	08.01 -	68234	67234	83019	53555
75 Tourer (RJ)	2.0 CDTi	96	131	1951	4 204D2	02.03 -	68234	67234	83019	
600 (RH)	618 i/Si	85	115	1850	4 F 18 A3	03.96 - 02.99	68300	67300	33227	53791
600 (RH)	620 i	85	115	1997	4 F 20 Z2	08.93 - 06.96	68300	67300	33227	53791
600 (RH)	620 Si	96	131	1997	4 F 20 Z1	08.93 - 02.99	68300	67300	33227	53791
600 (RH)	620 Ti Vitesse	147	200	1994	4 20 T4G	07.94 - 02.99	68300	67300	33227	53791
600 (RH)	623 Si	116	158	2259	4 H 23 A3	08.93 - 02.99	68300	67300	33227	53791
600 (RH)	620 Sdi	77	105	1994	4 20 T2N	12.94 - 02.99	68517	67517	33227	53796
800	820	74	100	1994	4	10.88 - 10.91		57363	33412	38616
800	820e	88	120	1994	4	10.86 - 10.91				
800	820 Si (XS)	98	133	1994	4 20 HD M 16	10.88 - 12.91	58517		33412	38616
800	820 16 V I/Si (XS)	103	140	1994	4 20 HD	10.86 - 10.88	58517		33412	38616
800	820 I/Si (RS)	100	136	1996	4 20 T4H	01.92 - 02.99	58517		33596	53794
800	820 16V Turbo (RS)	132	180	1996	4 T 16	01.92 - 02.99	58517		33596	53795
800	820 Sport	145	197	1994	4	04.94 - 03.96	58517		33596	36611
800	825 Si/Sterling (XS)	110	150	2494	6 C 25 A1	10.86 - 12.91		57363	33412	38616
800	825 Si/Sterling (XS)	123	167	2494	6 C 25 A2	10.86 - 10.88		57363	33412	38616
800	825 Si/Sterling (XS)	127	173	2494	6 C 25 A2	01.87 - 12.91		57363	33412	38616
800	825 Si Lux (RS)	129	175	2497	6 25 K4F	04.96 - 02.99			33596	53795
800	827 Si/Sterling (XS)	124	169	2675	6 C 27 A1	02.88 - 09.91		57363	33412	38616
800	827 Si/Sterling (XS)	124	169	2675	6 C 27 A1	10.91 - 02.99		57363	33412	38616
800	827 Si/Sterling (XS)	130	177	2675	6 C 27 A2	02.88 - 12.91		57363	33412	38616
800	825 D/SD (XS)	87	118	2500	4 425 SL1RR, 492 4	01.90 - 02.99			33596	53795
800 Coupé	825 Si (RS)	129	175	2497	6 25 K4F	04.96 - 02.99			33596	53795
800 Coupé	827 24V (RS)	124	169	2675	6 C 27 A1	08.92 - 02.99		57363	33412	38616
800 Coupé	825 SD	87	118	2500	4 425 SL1RR, 492 4	09.93 - 02.99			33596	53795
MGF (RD)	1.6	82	111	1588	4 16 K4F	02.00 - 03.02				
MGF (RD)	1.8 i 16V	88	120	1796	4 18 K4F	03.95 - 03.02	68400	67400	33961	53852
MGF (RD)	1.8 i VVC	107	146	1796	4 18 K4K (VVC)	03.95 - 03.02	68400	67400	33961	53852
MGF (RD)	1.8 i VVC	118	160	1796	4	10.01 - 03.02			33961	53852
MG TF	115	85	116	1588	4	03.02 -			33961	
MG TF	120	88	120	1796	4	03.02 -			33961	
MG TF	135	100	136	1796	4	03.02 -			33961	
MG TF	160	118	160	1796	4	03.02 -			33961	



SEASONS	Page	SEASONS	Page	SEASONS	Page	SEASONS	Page	SEASONS	Page	SEASONS	Page	SEASONS	Page	SEASONS	Page
33227	504	53796	503	68517	502										
33412	504	53852	504	78376	502										
33596	504	57363	503	78377	503										
33961	504	58517	502	83019	504										
33963	504	58720	502	83512	504										
33964	504	58721	502	83513	504										
36611	505	67234	502	93746	504										
38616	504	67300	502	97976	502										
38636	505	67400	502	97977	503										
38674	505	67516	502												
53555	503	67517	502												
53788	503	68234	502												
53791	503	68300	502												
53794	503	68400	502												
53795	503	68516	502												



447170-5640	78376	JEF10002	93746	JPB100770	68517	JPB101460A	67234	JRB100310	53788	XH35826	33412		
447170-5640	97976	JPB000040	78376	JPB100860	67400	JPB101460A	68234	JRB100340	53796	XHM5779	57363		
447170-8230	78376	JPB000040	97976	JPB100860	68400	JPB101540	78377	JRB100450	53852	XHM5805	38616		
447170-8230	97976	JPB000040A	78376	JPB101110	67300	JPB101540	97977	JRB100653	53555				
447170-8234	78376	JPB000040A	97976	JPB101110	68300	JPB500120	68234	JRD100050	33227				
447170-8234	97976	JPB000080	58721	JPB101154	78376	JPB500130	78376	JRJ10007	33596				
447220-8500	78376	JPB000150	58720	JPB101154	97976	JPB500130	97976	JRJ100180	33279				
447220-8500	97976	JPB10031	57363	JPB101161	68234	JQD000030	38636	JRJ100190	33227				
447220-8504	78376	JPB100590	57363	JPB101230	58721	JQD100230	38636	JRJ100260	33961				
447220-8504	97976	JPB100630	67300	JPB101240	58720	JQD100270	38674	JRJ100270	33964				
447300-8230	78376	JPB100630	68300	JPB101430	78376	JRB000140	53555	JRJ100310	33963				
447300-8230	97976	JPB100680	67517	JPB101430	97976	JRB10001	53795	JRJ100550	33227				
BTR6631	33227	JPB100680	68517	JPB101450	78377	JRB10011	57490	JRJ100660	83512				
CDP5560	36611	JPB100690	58517	JPB101450	97977	JRB10014	53794	JRJ100670	83513				
DJP995	33412	JPB100760	67516	JPB101450A	78377	JRB10015	53795	JRJ100680	83512				
EDU1776	57363	JPB100760	68516	JPB101450A	97977	JRB100180	53791	JRJ100710	83513				
EFP9317	93746	JPB100770	67517	JPB101460	68234	JRB100190	53937	JTB100220	36611				

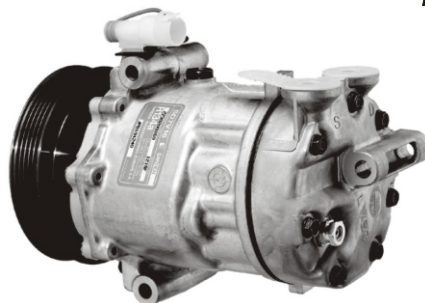


4 SEASONS

NEW: 58517
RMFG: Ø 140 mm
2 G - A
220 cc
Zexel DKS15

JPB100690

4 SEASONS

NEW: 58720
RMFG: Ø 126 mm
Poly-V5
135 cc
Sanden 7V16

JPB000150 / JPB101240

4 SEASONS

NEW: 58721
RMFG: Ø 126 mm
Poly-V6
135 cc
Sanden 7V16

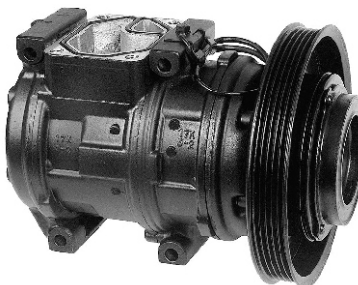
JPB000080 / JPB101230

4 SEASONS

NEW: 68234
RMFG: 67234Ø 125 mm
Poly-V6
160 cc
Sanden PXV16

JPB101161 / JPB101460 / JPB101460A / JPB500120

4 SEASONS

NEW: 68300
RMFG: 67300Ø 165 mm
Poly-V5
190 cc
Nippondenso 10PA17C

JPB100630 / JPB101110

4 SEASONS

NEW: 68400
RMFG: 67400Ø 122 mm
Poly-V5
135 cc
Seiko-Seiki SS 144FV1

JPB100860

4 SEASONS

NEW: 68516
RMFG: 67516Ø 126 mm
Poly-V5
135 cc
Sanden 7V16

JPB100760

4 SEASONS

NEW: 68517
RMFG: 67517Ø 126 mm
Poly-V6
135 cc
Sanden 7V16

JPB100680 / JPB100770

4 SEASONS

NEW: 78376
RMFG: 97976Ø 126 mm
Poly-V6
160 cc
Sanden PXV16447170-5640 / 447170-8230 / 447170-8234 / 447220-8500 / 447220-8504 /
447300-8230 / JPB000040 / JPB000040A / JPB101154...



NEW: 78377
RMFG: 97977

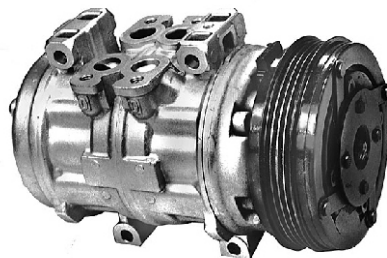


∅ 126 mm
Poly-V5
160 cc
Sanden PXV16

JPB101450 / JPB101450A / JPB101540



NEW: [blacked out]
RMFG: 57363

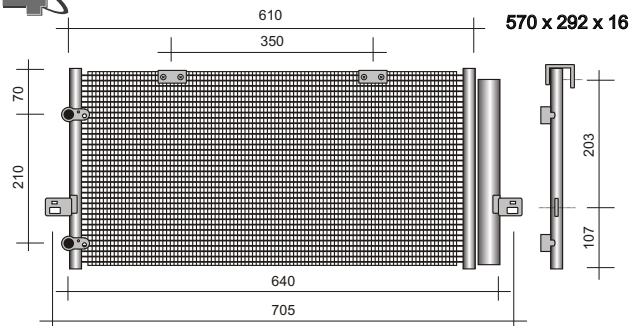


∅ 124 mm
Poly-V4
190 cc
Nippondenso 10P15C

EDU1776 / JPB10031 / JPB100590 / XHM5779



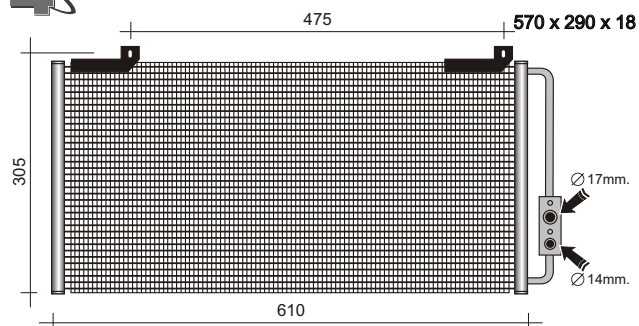
53555



JRB000140 / JRB100653



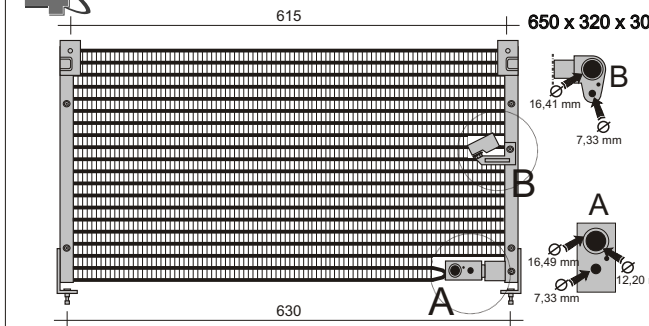
53788



JRB100310



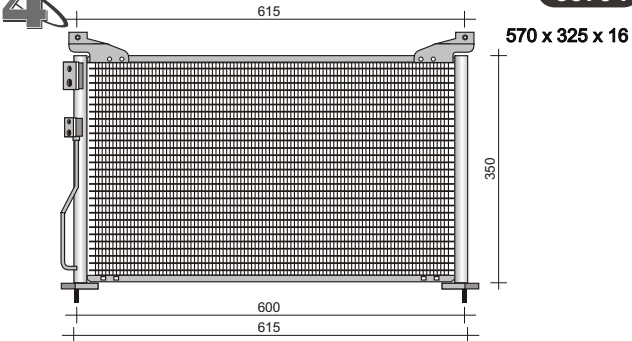
53791



JRB100180



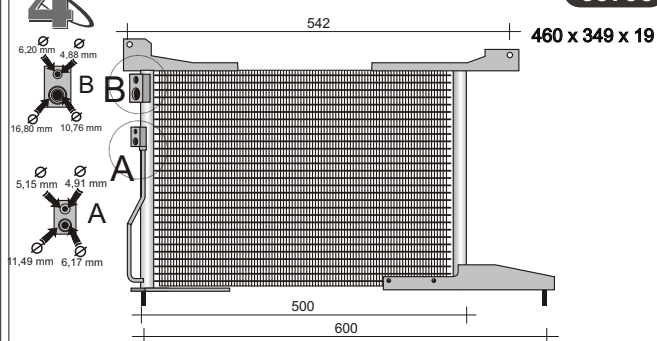
53794



JRB10014



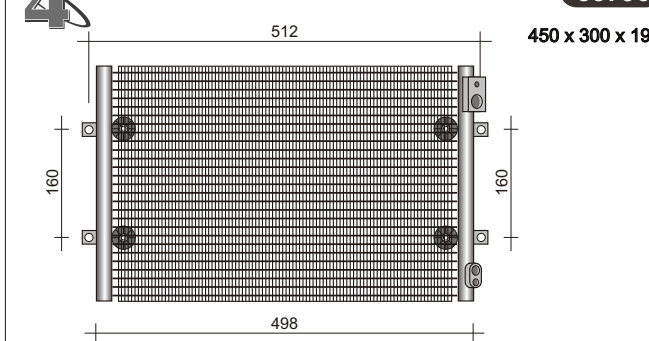
53795



JRB10001 / JRB10015



53796



JRB100340

Non contractual pictures / photos non contractuelles / nicht vertragliche Fotos / fotografie non contrattuali / fotos no contractuales



4 SEASONS **53852**
580 x 270 x 18

JRB100450

4 SEASONS **93746**
200 x 125 x 56

EFP9317 / JEF10002

4 SEASONS

4 SEASONS **33227**

BTR6631 / JRD100050 / JRJ100190 / JRJ100550

4 SEASONS **33412**

DJP995 / XH35826

4 SEASONS **33596**

JRJ10007

4 SEASONS **33961**

JRJ100260

4 SEASONS **33963**

JRJ100310

4 SEASONS **33964**

JRJ100270

4 SEASONS **83019**

4 SEASONS **83512**

JRJ100660 / JRJ100680

4 SEASONS **83513**

JRJ100670 / JRJ100710

4 SEASONS **38616**

XHM5805

Non contractual pictures / photos non contractuelles / nicht vertragliche Fotos / fotografie non contrattuali / fotos no contractuales

4 SEASONS **38636**



JQD000030 / JQD100230

4 SEASONS **38674**



JQD100270

4 SEASONS **36611**



CDP5560 / JTB100220

Non contractual pictures / photos non contractuelles / nicht vertragliche Fotos / fotografie non contrattuali / fotos no contractuales